

V20 (G020)

PARTS CATALOG

First Edition March 1998

RICOH COMPANY,LTD

PARTS CATALOG

INTRODUCTION

This chapter instructs you the numbers and names of parts on this machine.

INDEX to PARTS CATALOG

V20 Main Unit	(G020)
PS350	(G511)
CS350	(G696)
SR210	(A666)
RT35	(A667)
AD330	(G694)

V20 Main Unit (G020)

PARTS CATALOG

INTRODUCTION

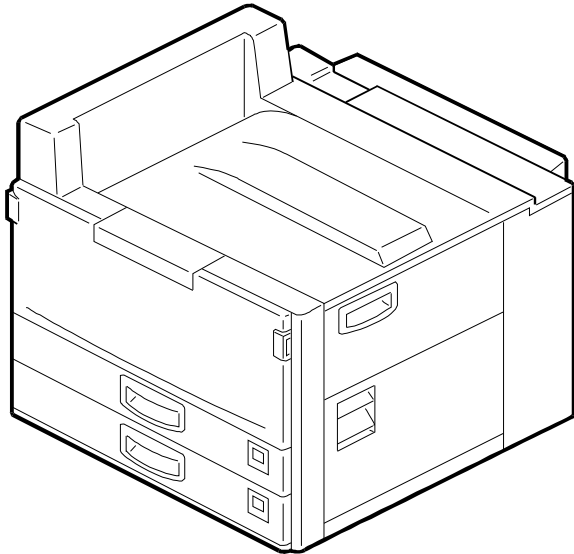
This chapter instructs you the numbers and names of parts on this machine.

INDEX to PARTS CATALOG

Location of Unit	2	12.Transport Section 2 (G020)	28
1.Exterior (G020)	6	13.Drive Section 1 (G020)	30
2.Paper Tray (G020)	8	14.Drive Section 2 (G020)	32
3.By-pass Feed (G020)	10	15.Electrical Section 1 (G020)	34
4.Registration (G020)	12	16.Electrical Section 2 (G020)	36
5.Paper Feed (G020)	14	17.Frame Section 1 (G020)	38
6.Laser Unit (G020)	16	18.Frame Section 2 (G020)	40
7.PCU (G020)	18	19.BECU Board (G020)	42
8.Fusing Unit (G020)	20	20.Main Control Board (G020)	48
9.Paper Exit (G020)	22	21.Decal And Document (G020)	52
10.Inverter Unit (G020)	24	22.Special Tools (G020)	54
11.Transport Section 1 (G020)	26	Parts Index	57

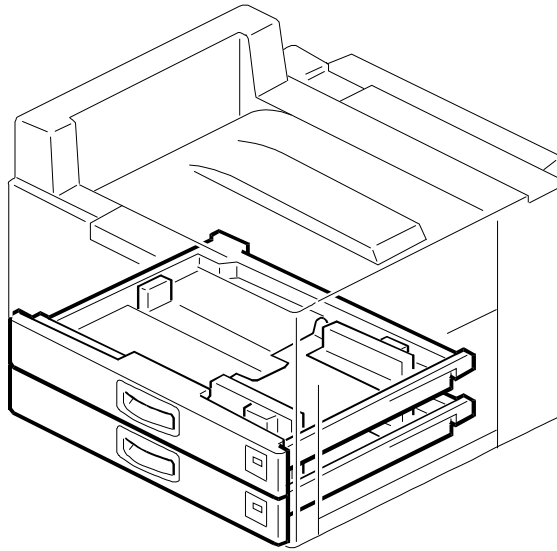
Location of Unit

1.Exterior (G020)



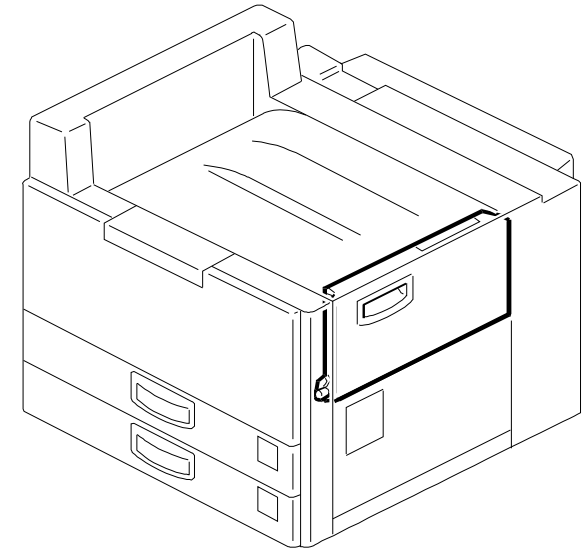
See Page 7

2.Paper Tray (G020)



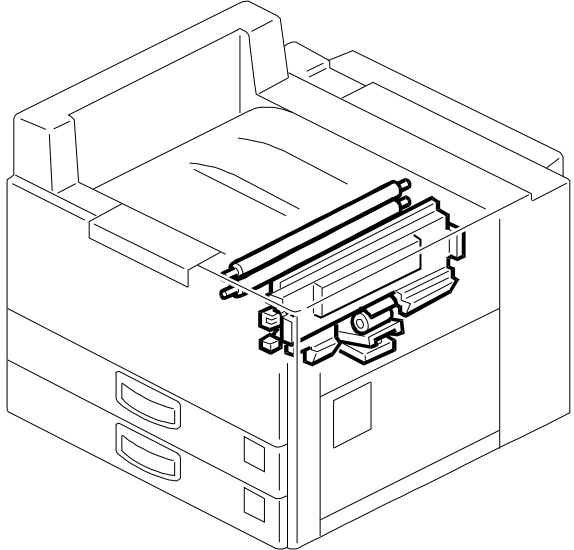
See Page 9

3.By-pass Feed (G020)



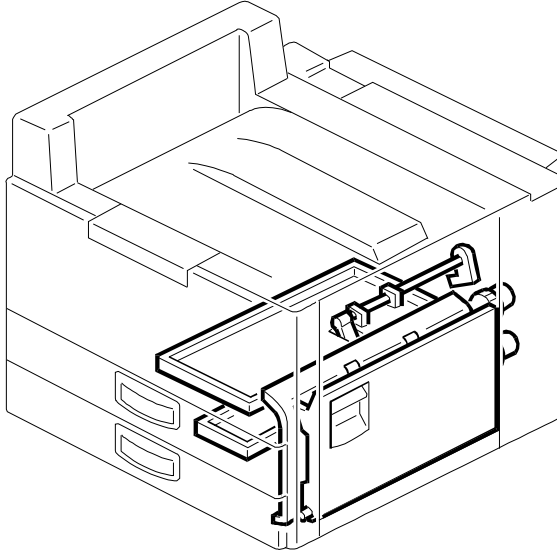
See Page 11

4.Resistration (G020)



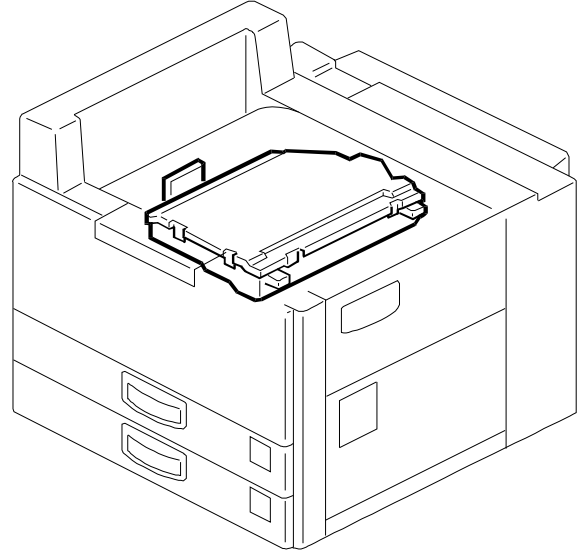
See Page 13

5.Paper Feed (G020)



See Page 15

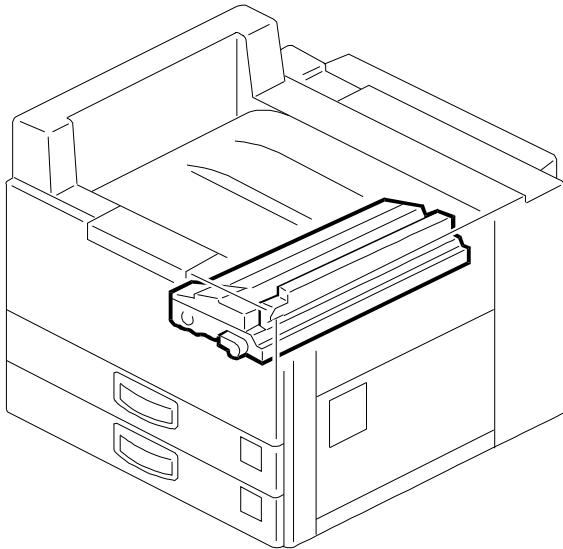
6.Laser Unit (G020)



See Page 17

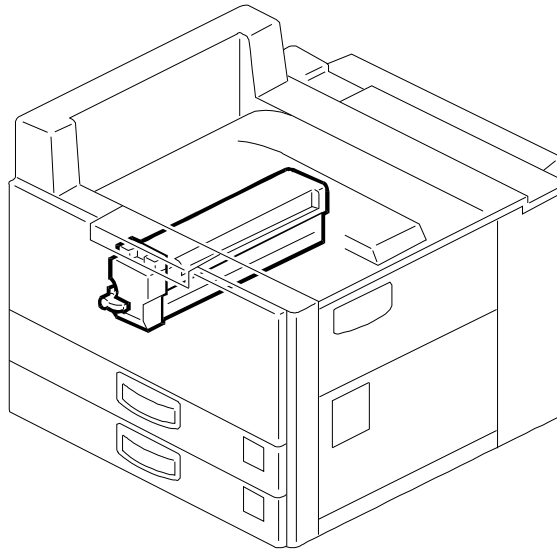
Location of Unit

7.PCU (G020)



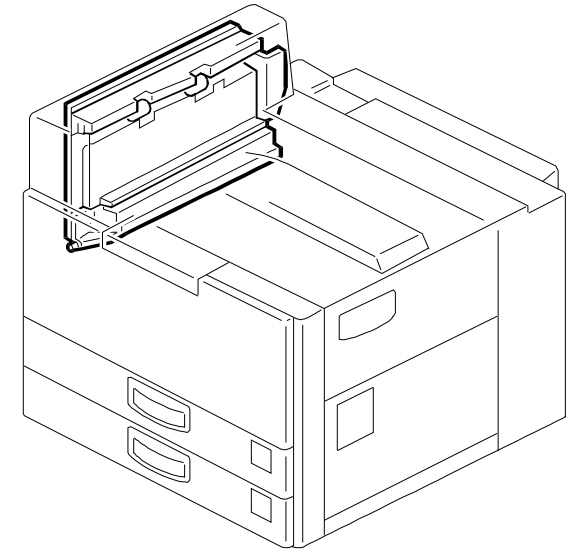
See Page 19

8.Fusing Unit (G020)



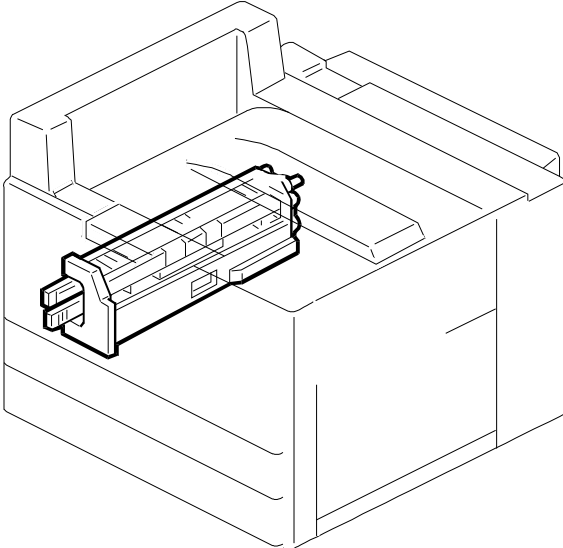
See Page 21

9.Paper Exit (G020)



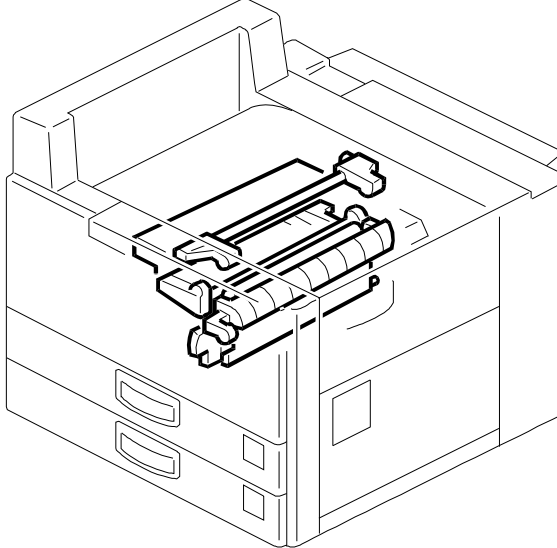
See Page 23

10.Inverter Unit (G020)



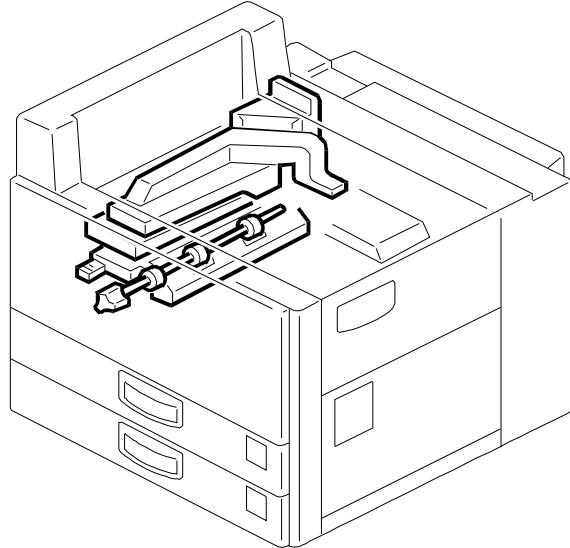
See Page 25

11.Transport Section 1 (G020)



See Page 27

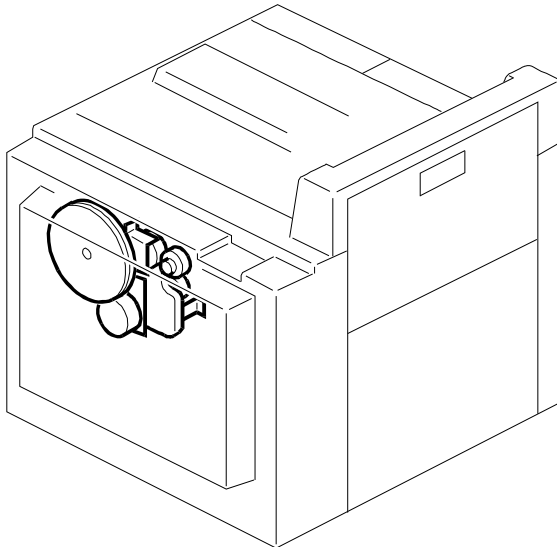
12.Transport Section 2 (G020)



See Page 29

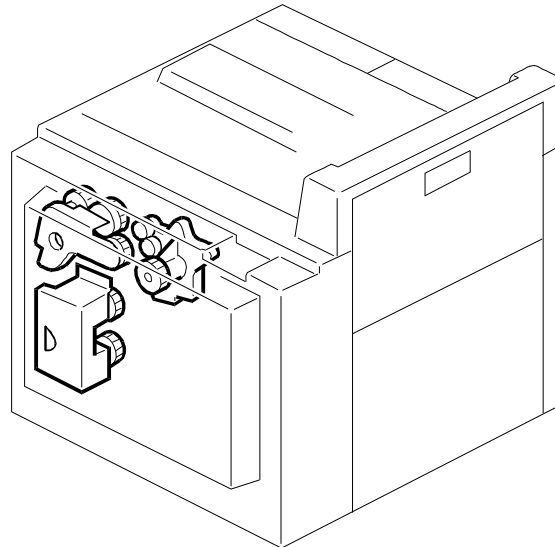
Location of Unit

13. Drive Section 1 (G020)



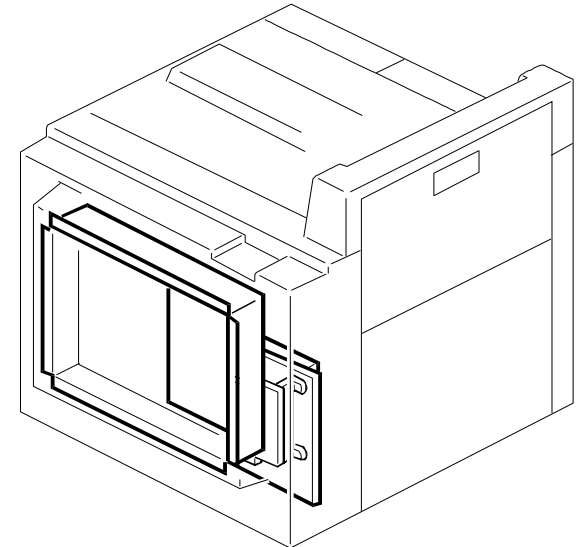
See Page 31

14. Drive Section 2 (G020)



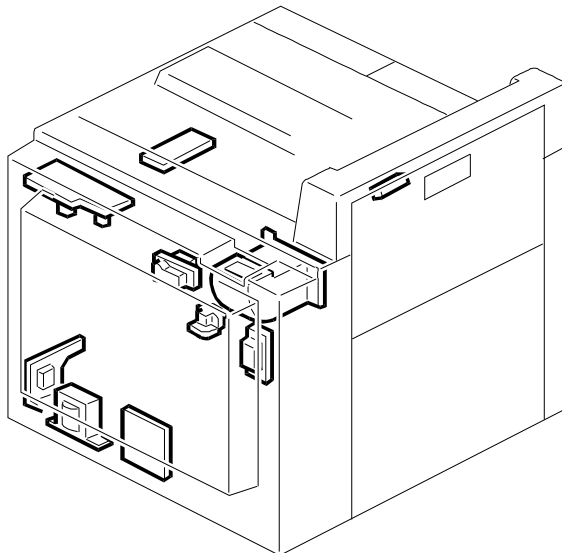
See Page 33

15. Electrical Section 1 (G020)



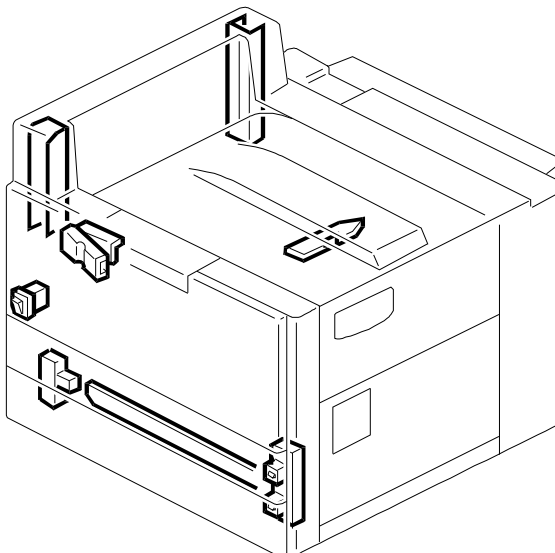
See Page 35

16. Electrical Section 2 (G020)



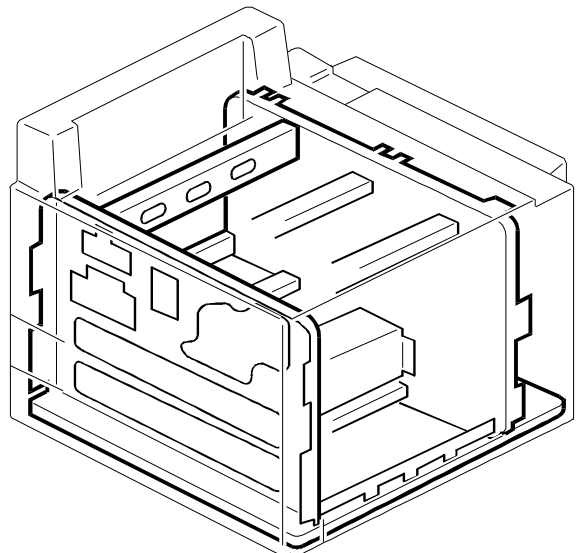
See Page 37

17. Frame Section 1 (G020)



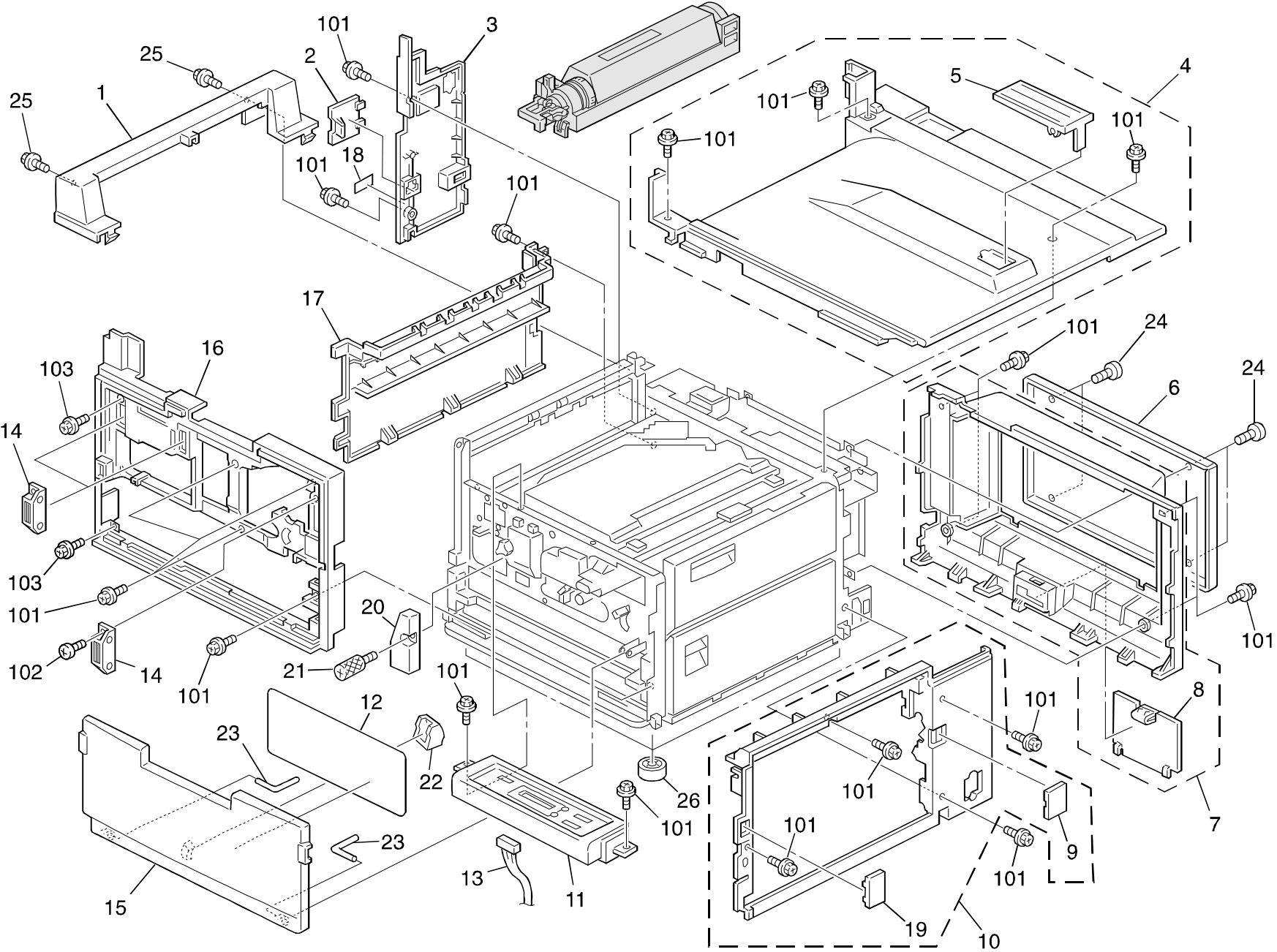
See Page 39

18. Frame Section 2 (G020)



See Page 41

1.Exterior (G020)

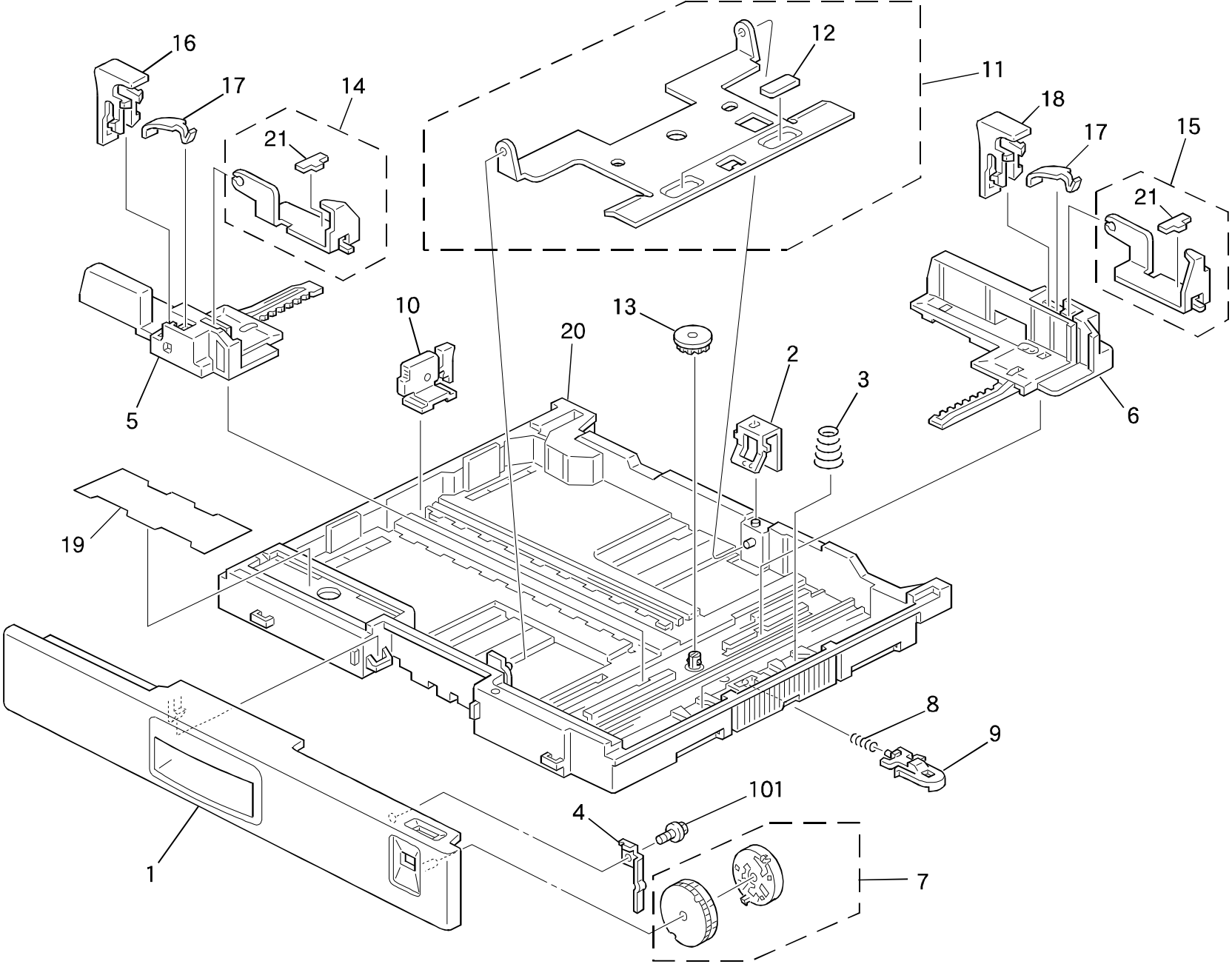


1.Exterior (G020)

Index No.	Part No.	Description	Q'ty Per Assembly
1	G020 1276	Upper Left Cover	1
2	G020 1351	Cap - Finisher	1
3	G020 1286	Left Rear Cover	1
4	G020 1231	Top Cover Ass'y	1
5	G020 1266	Paper Stopper	1
6	G020 1341	Main Control Board Cover	1
7	G020 1236	Rear Cover Ass'y	1
8	G020 1311	Harness Cover	1
9	G020 1361	LCT Rear Cap	1
10	G020 1237	Right Cover Ass'y	1
11	G020 1420	Operation Panel Ass'y (LT)	1
11	G020 1421	Operation Panel Ass'y (A4)	1
12	G020 1319	Operation Sheet	1
13	G020 5222	Harness - Operation Panel	1
14	AG07 0004	Magnetic Catch	3
15	G020 1233	Front Door	1
16	G020 1251	Inner Cover	1
17	G020 1281	Lower Left Cover	1
18	G020 1926	Decal - Laser Diode	1
19	G020 1356	LCT Front Cap	1
20	G020 1326	Cap - Inverter Unit	1
21	G020 1327	Knob Screw - M3	1
22	G020 1259	Rubber Protector - Front Cover	1
23	G020 1332	Front Door Pin	2
24	G020 1391	Screw - M3x4.5	4
25	G020 1392	Screw - M3x8	2
26	G020 1052	Stand	4

Index No.	Part No.	Description	Q'ty Per Assembly
101	0802 5255	Tapping Screw - M3x8	
102	0802 5085	Tapping Screw - M4x8	
103	0802 5256	Tapping Screw - M3x8	

2.Paper Tray (G020)

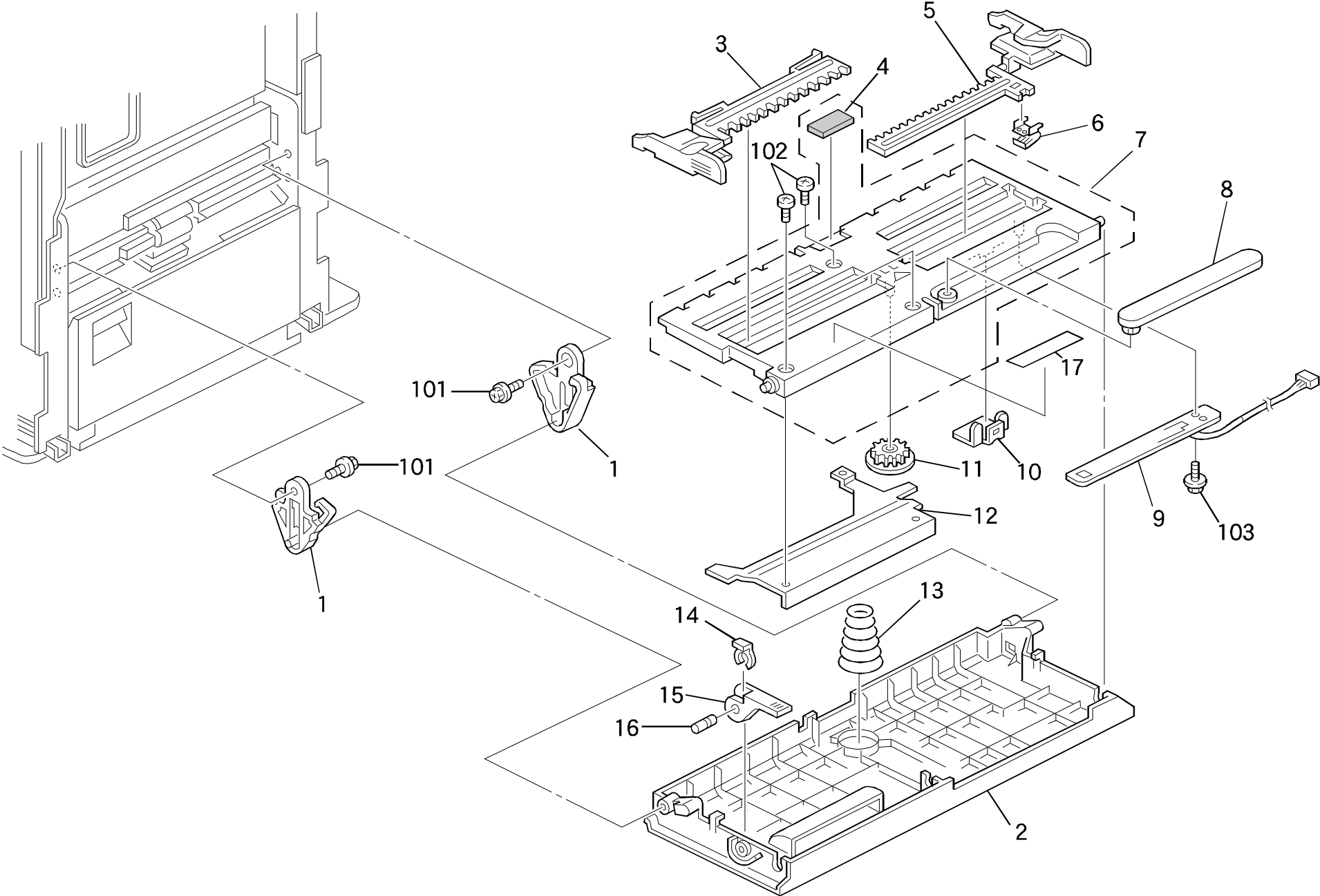


2.Paper Tray (G020)

Index No.	Part No.	Description	Q'ty Per Assembly
1	G020 2647	Paper Tray Cover	1
2	G020 2658	Grounding Plate - Bottom Plate	1
3	G020 2656	Pressure Spring - Bottom Plate	2
4	G020 2648	Holder - Paper Size Detector	1
5	G020 2560	Front Side Fence	1
6	G020 2567	Rear Side Fence	1
7	A193 2649	Paper Size Detector - LT	1
7	A193 2650	Paper Size Detector - A4	1
8	G020 2599	Spring - Release Lever	1
9	G020 2592	Release Lever - Bottom Plate	1
10	G020 2644	End Fence	1
11	G020 2661	Bottom Plate Ass'y	1
12	G020 2645	Friction Pad	2
13	AB01 3868	Gear - 16Z	1
14	G020 2573	Front Corner Separator	1
15	G020 2558	Rear Corner Separator	1
16	G020 2664	Front Lever Stopper	1
17	A157 2769	Rear Stopper Spring	2
18	A190 2642	Rear Lever Stopper	1
19	G020 2668	Decal - Paper Set	1
20	G020 2590	Paper Tray	1
21	A193 2660	Paper Separator Cushion	2

Index No.	Part No.	Description	Q'ty Per Assembly
101	0450 3008B	Tapping Screw - M3x8	

3.By-pass Feed (G020)

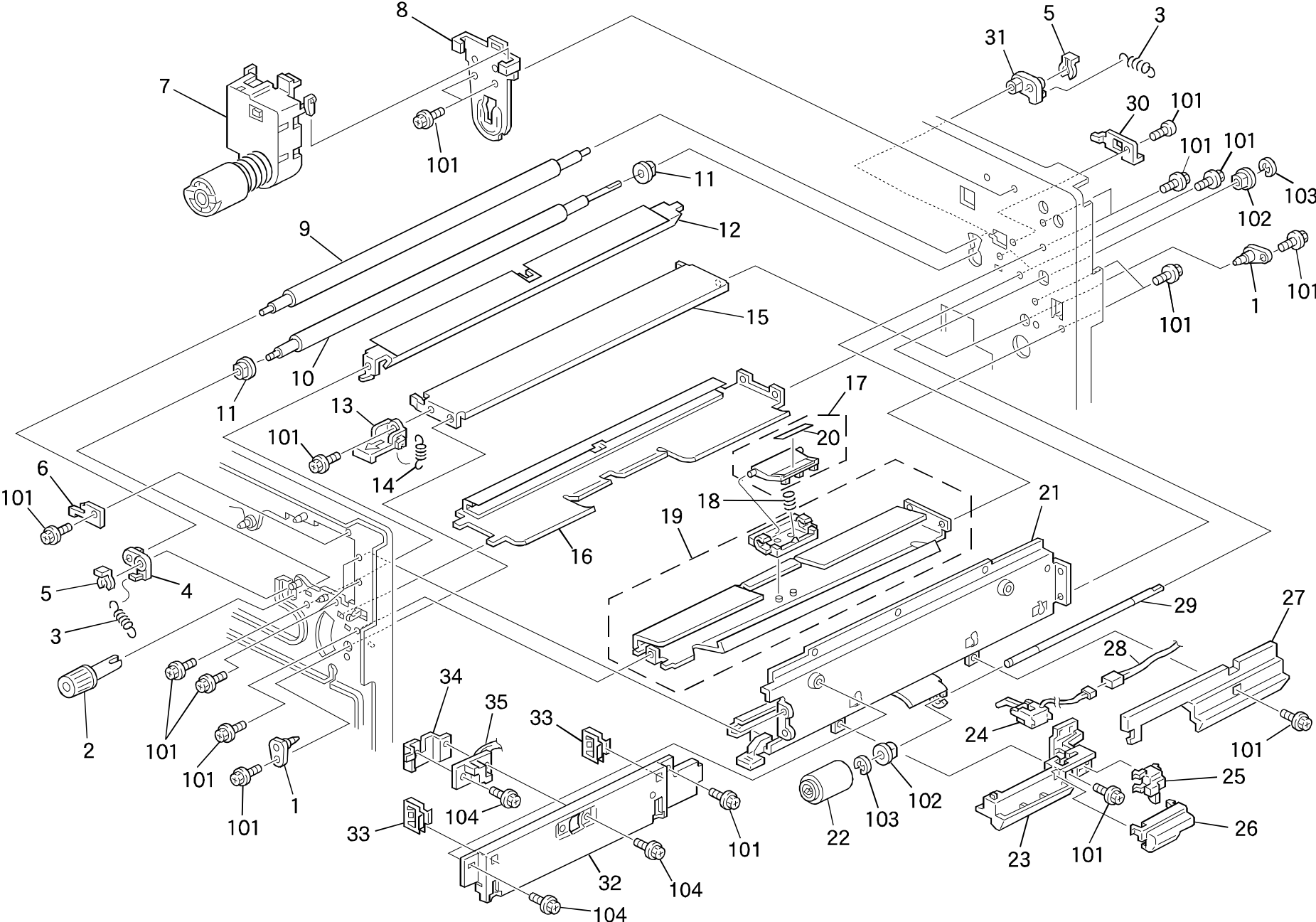


3.By-pass Feed (G020)

Index No.	Part No.	Description	Q'ty Per Assembly
1	G020 2735	Guide - By-pass Feed Table	2
2	G020 2701	Cover - By-pass Table	1
3	G020 2706	Left Side Fence - By-pass Feed	1
4	5215 2713	Bottom Plate Pad	1
5	G020 2705	Right Side Fence - By-pass Feed	1
6	G020 2707	Sensor Conductor - By-pass Feed	1
7	G020 2709	Bottom Plate - By-pass Table	1
8	A190 2702	Paper Guide	1
9	G020 5280	By-pass Feed Sensor	1
10	G020 2708	Spring Plate - By-pass Feed	1
11	G011 3305	Gear - 16T	1
12	G020 2782	Stay - By-pass Table	1
13	G020 2702	Pressure Spring - By-pass Feed	1
14	5447 2681	Snap Ring	1
15	G020 2784	Lever - By-pass Feed Table	1
16	G020 2786	Shaft - By-pass Release Lever	1
17	G020 2788	Decal - By-pass Table	1

Index No.	Part No.	Description	Q'ty Per Assembly
101	0451 3006B	Tapping Screw - M3x6	
102	0450 3008B	Tapping Screw - M3x8	
103	0453 3006Z	Binding Self Tapping Screw- M3X6	

4.Resistration (G020)

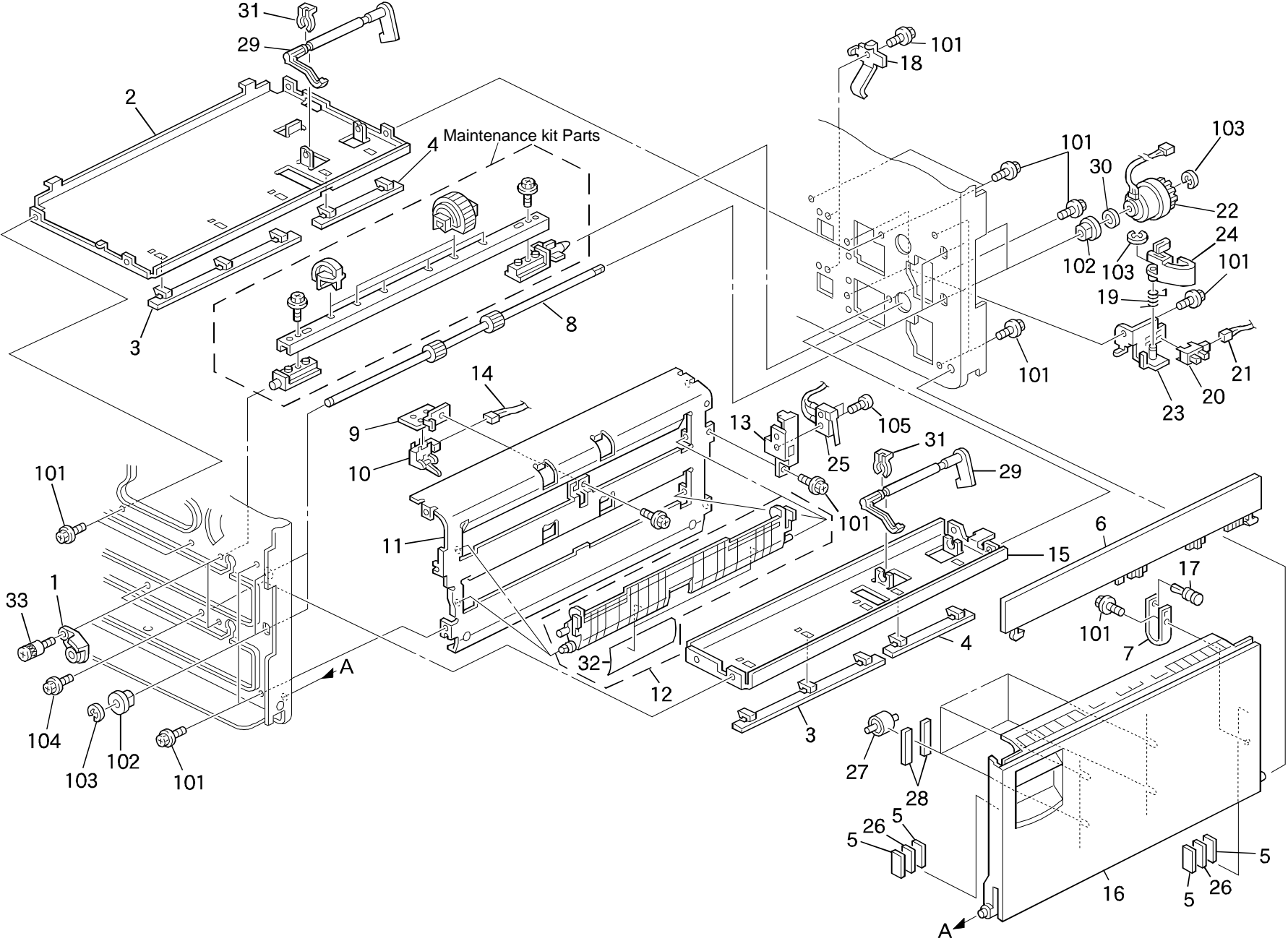


4.Registration (G020)

Index No.	Part No.	Description	Q'ty Per Assembly
1	G020 3888	Pin - Transfer Guide	2
2	G020 2783	Registration Roller Knob	1
3	G020 2743	Tension Spring	2
4	G020 2780	Front Bushing - Registration	1
5	5447 2681	Snap Ring	2
6	G020 3390	Stopper	1
7	G020 1120	DC Motor - DC24V 21.6W	1
8	G020 1161	Bracket - Toner Supply Motor	1
9	A224 2741	Upper Registration Roller	1
10	G020 2740	Lower Registration Roller	1
11	AA08 2070	Bushing - 8x16x7	2
12	G020 2745	Lower Guide Plate - Registration	1
13	G020 2765	Knob - Lower Transport Guide	1
14	AA06 0331	Release Spring	1
15	G020 2762	Lower Transport Guide	1
16	G020 2754	Upper Paper Guide	1
17	G020 2714	Friction Pad - By-pass Feed	1
18	G020 2713	Pressure Spring	1
19	G020 2718	Stay - By-pass Feed	1
20	G020 2716	Friction pad	1
21	G020 3361	Guide Plate - Toner Supply	1
22	G020 2721	By-pass Feed Roller	1
23	G020 2753	Bracket - Registration Sensor	1
24	G020 2771	Registration Sensor	1
25	G020 2772	By-pass Paper End Sensor	1
26	G020 2787	Cover - By-pass Paper End Sensor	1
27	G020 2785	Cover - Feed Roller Shaft	1
28	G020 5417	Harness - Registration Sensor	1
29	G020 2723	By-pass Feed Shaft	1
30	G020 1064	PCU Bracket	1
31	G020 2781	Rear Bushing - Registration Roller	1
32	G020 2734	Envelope Feeder Stay	1
33	G020 2731	Grounding Plate	2
34	G020 2733	Connector Bracket	1
35	G020 5208	Relay Harness - Envelope Feeder	1

Index No.	Part No.	Description	Q'ty Per Assembly
101	0451 3006B	Tapping Screw - M3x6	
102	0805 3385	Bushing - 6mm	
103	0720 0040E	Retaining Ring - M4	
104	0453 3006B	Tapping Screw - M3x6	

5.Paper Feed (G020)

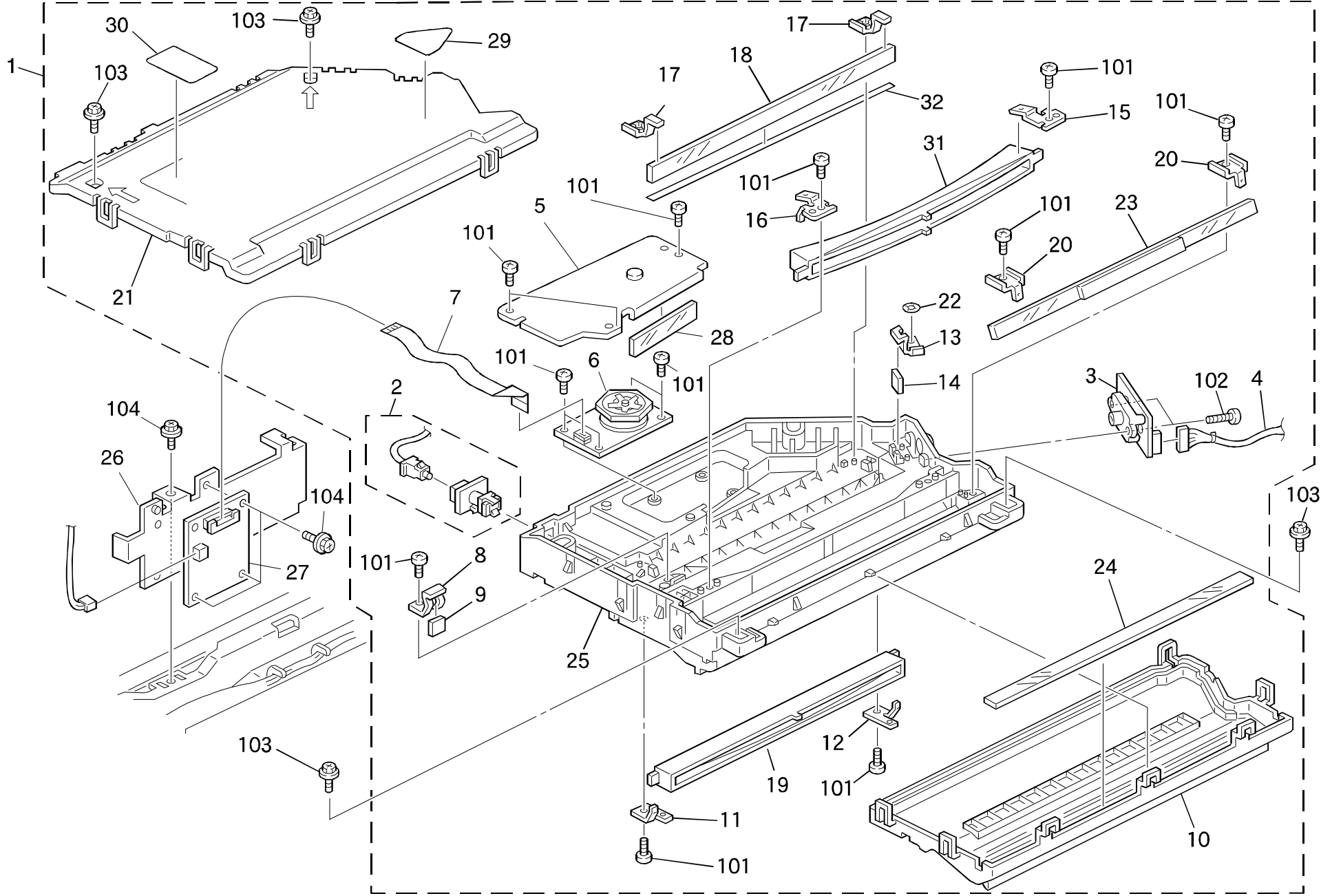


5.Paper Feed (G020)

Index No.	Part No.	Description	Q'ty Per Assembly
1	G020 2587	Bushing - Paper Feed	2
2	G020 1096	Right Shielding Plate	1
3	G020 2655	Upper Front Guide - Paper Tray	2
4	G020 2654	Upper Rear Guide - Paper Tray	2
5	G697 1261	Magnetic Catch Bracket	4
6	G020 2634	Cover - Vertical Transport	1
7	G020 2625	Holder - Vertical Transport Guide	1
8	A224 2564	Relay Roller	2
9	G020 2589	Bracket - Vertical Transport Sensor	1
10	G020 2584	Photointerruptor	1
11	G020 2610	Left Vertical Transport Guide	1
12	G020 2612	Vertical Relay Guide	2
13	G020 2616	Bracket - Microswitch	1
14	G020 5408	Harness - Transport Sensor	1
15	G020 2618	Stay - Paper End Sensor	1
16	G020 2632	Guide Plate - Vertical Transport	1
17	A048 2838	Nylon Rivet	1
18	G020 2643	Front Grounding Plate - Paper Tray	2
19	G020 2626	Release Spring - Paper End Feeler	1
20	AW02 0105	Photointerruptor - EE-SX4239-P2	1
21	G020 5409	Harness - Paper End Sensor	1
22	G020 1113	Relay Roller Clutch	1
23	G020 2580	Paper End Sensor Bracket	1
24	G020 2622	Release Arm - Paper End Feeler	1
25	G020 2615	Microswitch	1
26	AG07 0012	Magnet	2
27	AF02 0283	Pressure Roller	4
28	G020 2635	Spring Plate - Driven Roller	8
29	G020 2581	Paper End Feeler	2
30	5415 2578	Spacer - 6x14x3mm	2
31	5447 2681	Snap Ring	2
32	G020 2621	Lower Guide Plate - Paper Feed	4
33	G020 1327	Knob Screw - M3	1
34	A193 9800	Tray Heater - 115V	1
34	A193 9801	Tray Heater - 230V	1

Index No.	Part No.	Description	Q'ty Per Assembly
101	0451 3006B	Tapping Screw - M3x6	
102	0805 3480	Bushing - 6mm	
103	0720 0040E	Retaining Ring - M4	
104	0451 3008B	Tapping Screw - M3x8	
105	0242 0080B	Philips Pan Head Screw - M2 X 8	

6.Laser Unit (G020)

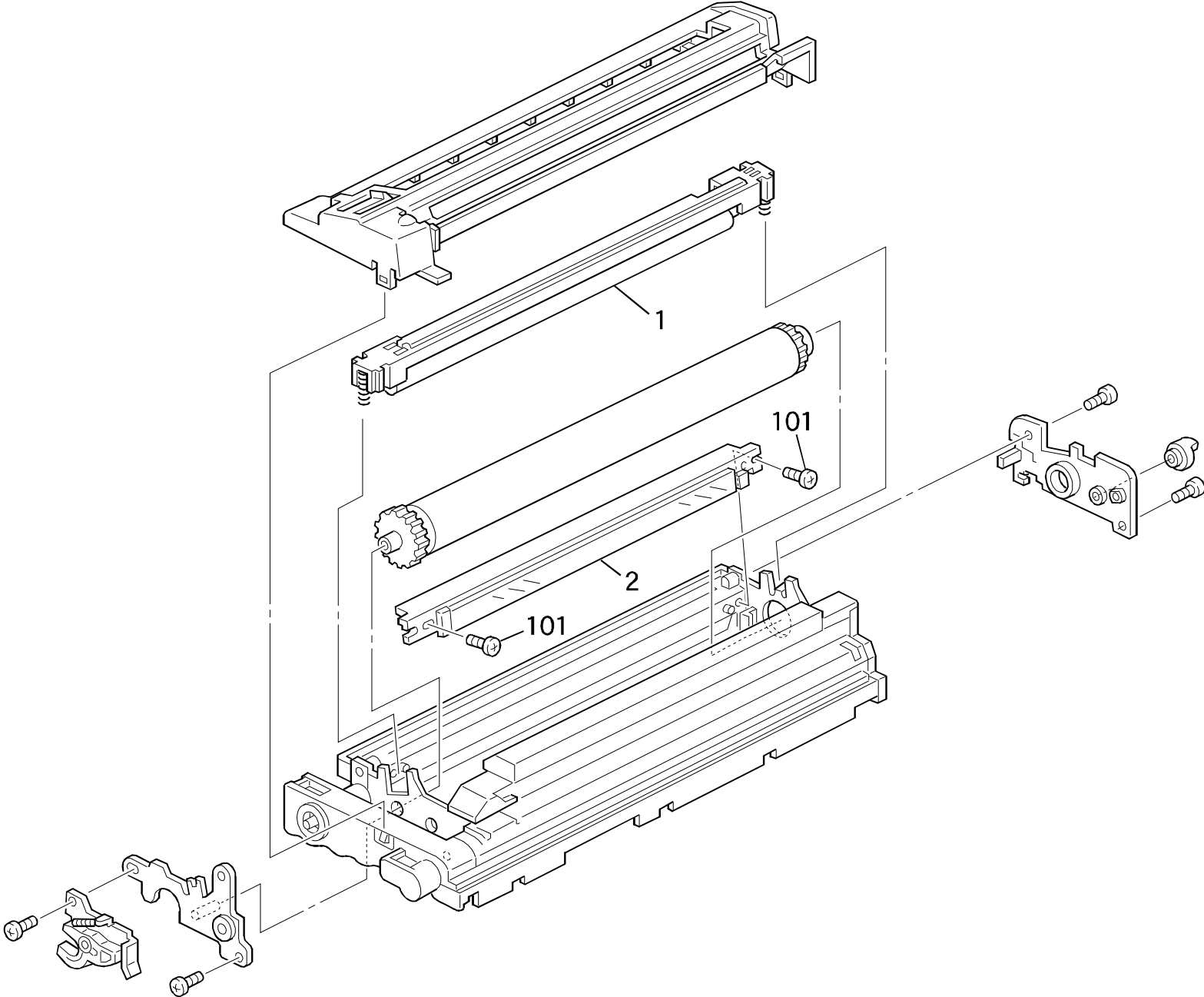


6.Laser Unit (G020)

Index No.	Part No.	Description	Q'ty Per Assembly
1	G020 1869	Laser Unit Ass'y (115V)	1
1	G020 1872	Laser Unit Ass'y (230V)	1
2	G020 1912	Sync Detector	1
3	G020 1881	LD Unit	1
4	G020 5436	Laser Control Harness	1
5	G020 1952	Cover - Polygon Motor	1
6	G020 1942	Polygon Mirror Motor	1
7	G020 5234	Relay Harness - Polygon Motor DR.	1
8	G020 1915	Sync Detector Mirror Holder	1
9	G020 1911	Sync Detector Mirror	1
10	G020 1902	Lower Cover - Laser Unit	1
11	G020 1903	Right Holder - BTL Lens	1
12	G020 1904	Left Holder - BTL Lens	1
13	G020 1905	Cylindrical Lens Holder	1
14	G020 1966	Cylindrical Lens	1
15	G020 1906	Left Holder - F Theta Mirror	1
16	G020 1907	Right Holder - F Theta Mirror	1
17	G020 1908	1st Mirror Holder	2
18	G020 1964	1st Mirror - Laser Unit	1
19	G020 1969	BTL Lens	1
20	G020 1909	2nd Mirror Holder	2
21	G020 1941	Laser Unit Cover - 115V	1
21	G020 1940	Optical Housing Cover (230V)	1
22	G020 1923	CS Ring - M2.4	1
23	G020 1928	2nd Mirror - Laser Unit	1
24	G020 1962	Shield Glass	1
25	G020 1924	Housing - Laser Unit	1
26	G020 1939	Bracket - Polygon Motor Driver	1
27	G020 1943	Polygon Motor Driver	1
28	G020 1877	Shield Glass	1
29	G020 1917	Decal - LD	1
30	G020 1920	Decal - Laser Diode (115V)	1
30	G020 1918	Decal - Laser Diode (230V)	1
31	G020 1968	F Theta Mirror	1
32	G020 1970	Supporting Plate - Mirror - NO.1	1

Index No.	Part No.	Description	Q'ty Per Assembly
101	0452 3008B	Tapping Screw - M3x8	
102	0452 3010B	Tapping Bind Screw - M3x10	
103	0451 3008B	Tapping Screw - M3x8	
104	0451 3006B	Tapping Screw - M3x6	

7.PCU (G020)

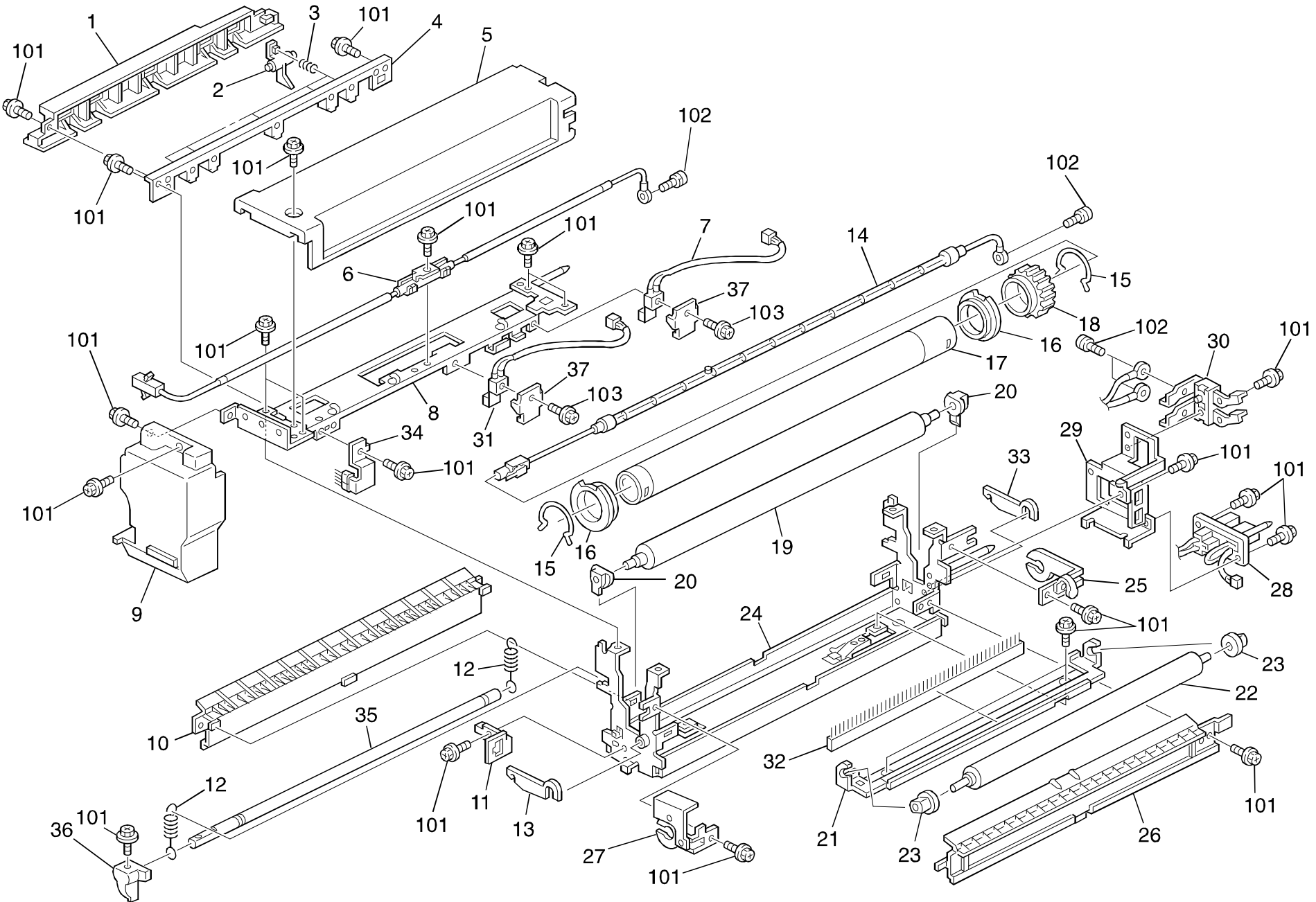


7.PCU (G020)

Index No.	Part No.	Description	Q'ty Per Assembly
1	G020 2020	Charge Roller Ass'y	1
2	G020 3550	Cleaning Blade	1

Index No.	Part No.	Description	Q'ty Per Assembly
101	0452 3008B	Tapping Screw - M3x8	

8.Fusing Unit (G020)

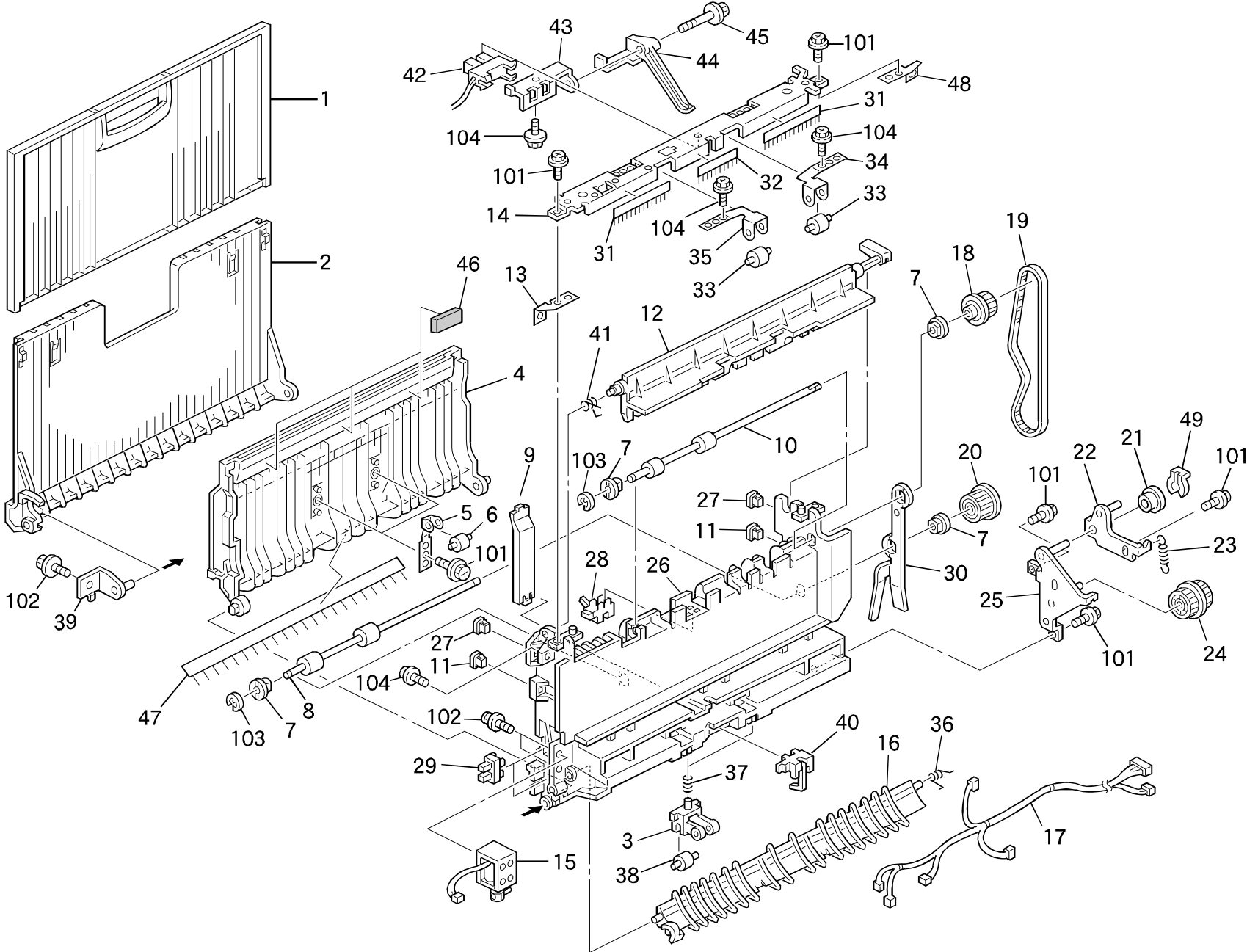


8.Fusing Unit (G020)

Index No.	Part No.	Description	Q'ty Per Assembly
1	G020 4149	Upper Exit Guide - Fusing Unit	1
2	G020 4178	Hot Roller Stripper	5
3	G020 4193	Spring - Hot Roller Stripper	5
4	G020 4179	Bracket - Hot Roller Stripper	1
5	G020 4129	Upper Fusing Cover	1
6	G020 4133	Thermofuse - 169°C	1
7	G020 4185	Fusing Thermistor	1
8	A224 4130	Stay Fusing Unit	1
9	G020 4294	Front Fusing Cover	1
10	G020 4247	Lower Exit Guide - Fusing Unit	1
11	G020 4152	Connector Bracket - Fusing Unit	1
12	G020 4291	Tension Spring	2
13	G020 4243	Front Pressure Lever - Fusing Unit	2
14	A193 4187	Fusing Lamp - 120V 800W	1
14	A193 4188	Fusing Lamp - 230V 700W	1
15	0725 0200E	Retaining Ring C - M20	2
16	A224 4173	Ball Bearing - 20x32x7	2
17	A224 4170	Hot Roller	1
18	A224 4177	Gear - Hot Roller	1
19	G020 4280	Pressure Roller	1
20	G020 4175	Bushing - Pressure Roller	2
21	A224 4112	Bracket Cleaning Roller	1
22	AE04 2009	Cleaning Roller	1
23	G020 4176	Bushing - Cleaning Roller	2
24	A224 4141	Fusing Unit Frame	1
25	G020 4159	Rear Holder - Fusing Lamp	1
26	G020 4246	Lower Entrance Guide	1
27	G020 4160	Front Heater Holder	1
28	G020 4183	Fusing Unit Harness (115V)	1
28	G020 4184	Fusing Unit Harness (230V)	1
29	G020 4151	Bracket - Fusing Connector	1
30	G020 4163	Heater Socket	1
31	G020 4285	Thermistor	1
32	AA12 0005	Antistatic Brush	1
33	G020 4244	Rear Pressure Lever - Fusing Unit	1

Index No.	Part No.	Description	Q'ty Per Assembly
34	A224 4136	Antistatic Brush - Hot Roller	1
35	G020 4293	Shaft	1
36	G020 4292	Lever - Shaft	1
37	G020 4287	Cover - Thermistor	2
101	0451 3006B	Tapping Screw - M3x6	
102	0950 4006M	Philips Screw With Flat Washer-m4x6	
103	0451 3010B	Tapping Screw - M3x10	

9.Paper Exit (G020)

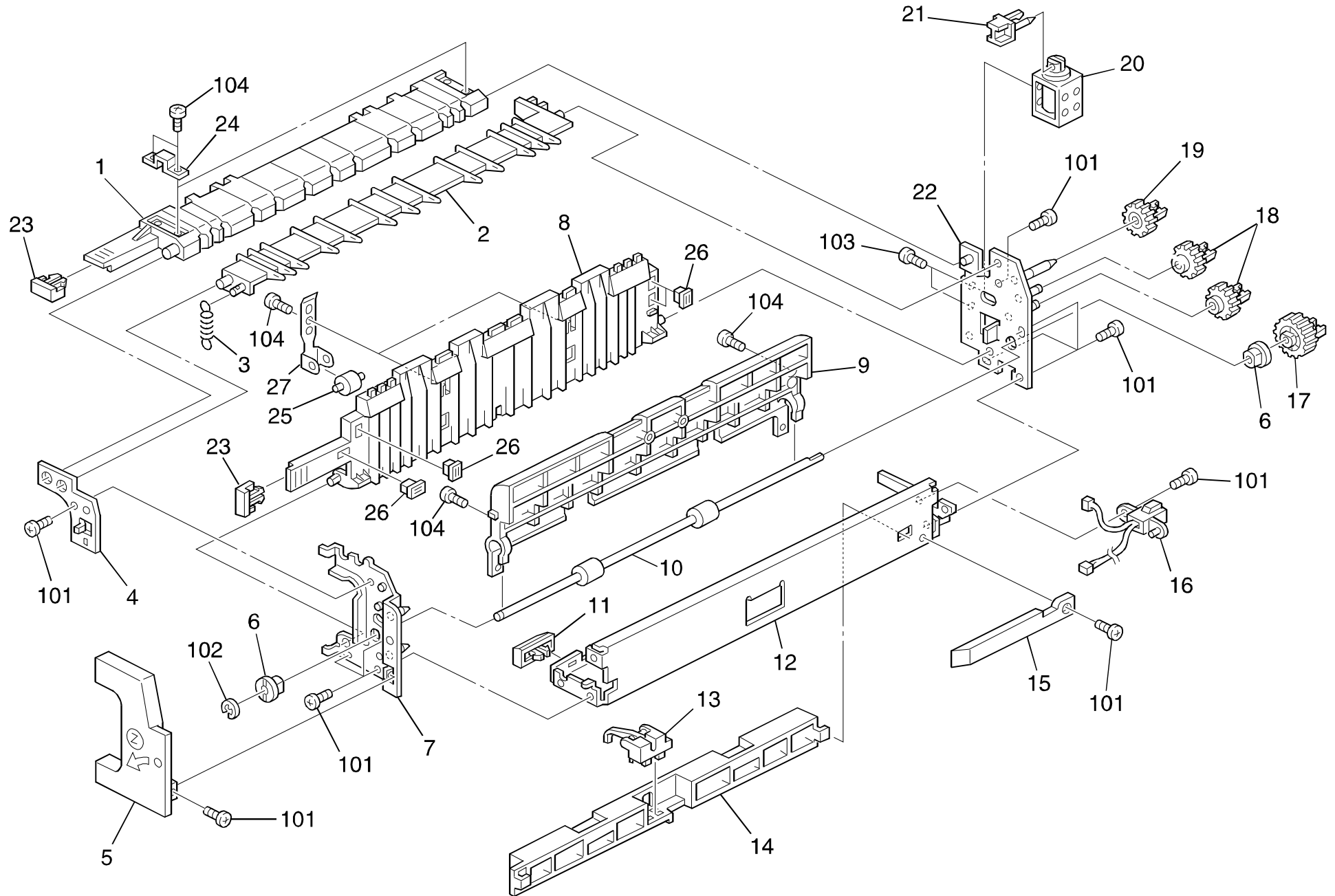


9.Paper Exit (G020)

Index No.	Part No.	Description	Q'ty Per Assembly
1	G020 4423	Sub Copy Tray - FU	1
2	G020 4419	Left Cover Tray	1
3	G020 4463	Roller Holder	2
4	G020 4452	Right Vertical Guide	1
5	G020 4446	Spring Plate - Roller	2
6	G012 4865	Exit Roller	2
7	G020 4466	Bushing - M6	4
8	G020 4426	Exit Relay Roller	1
9	G020 4465	Harness Cover	1
10	G020 4427	Exit Roller - FD	1
11	G012 1531	Magnet	2
12	G020 4454	Paper Exit Pawl	1
13	G020 4453	Grounding Plate	1
14	G020 4468	Stay - FD	1
15	G020 4439	Junction Gate Solenoide - FD	1
16	G020 4424	Junction Gate - FU	1
17	G020 5223	Harness - Paper Exit	1
18	G020 4436	Pulley - 28Z	1
19	G020 4437	Timing Belt - B60S2M-386	1
20	G020 4435	Pulley - 32Z	1
21	G020 4444	Tightener	1
22	G020 4333	Tightener - 1bin Sorter	1
23	G020 4440	Tension Spring	1
24	G020 4447	Pulley - 44Z	1
25	G020 4332	Rear Stud - 1bin Sorter	1
26	G020 4409	Guide Plate - Feed Down	1
27	A049 3371	Magnet	2
28	G020 4429	Exit Sensor	1
29	AW02 0075	Photointerrupter	1
30	G020 4481	Grounding Plate - Exit Roller	2
31	G020 4483	Antistatic Brush - FD	2
32	G020 4374	Middle Antistatic Brush - FD	1
33	G020 4390	Exit Roller	2
34	G020 4471	Rear Spring Plate - Driven Roller	1
35	G020 4470	Front Spring Plate - Driven Roller	1

Index No.	Part No.	Description	Q'ty Per Assembly
36	G020 4467	Tension Spring	1
37	G020 4431	Pressure Spring	2
38	AF04 0031	Upper Exit Roller	2
39	G020 1710	Exit Tray Holder	1
40	G020 4472	Paper Feed Sensor	1
41	G020 4455	Spring	1
42	G020 4373	Photointerruptor - Paper Sensor	1
43	G020 4376	Bracket - Paper Sensor	1
44	G020 4372	Paper Sensor Feeler	1
45	G020 4375	Shaft - Feeler - Paper Sensor	1
46	G020 4445	Stopper	3
47	G020 4497	Antistatic Brush	1
48	G020 4353	Ground Plate	1
49	5447 2681	Snap Ring	1
101	0450 3008B	Tapping Screw - M3x8	
102	0957 3008B	Philips Screw	
103	0720 0040E	Retaining Ring - M4	
104	0451 3006B	Tapping Screw - M3x6	

10. Inverter Unit (G020)

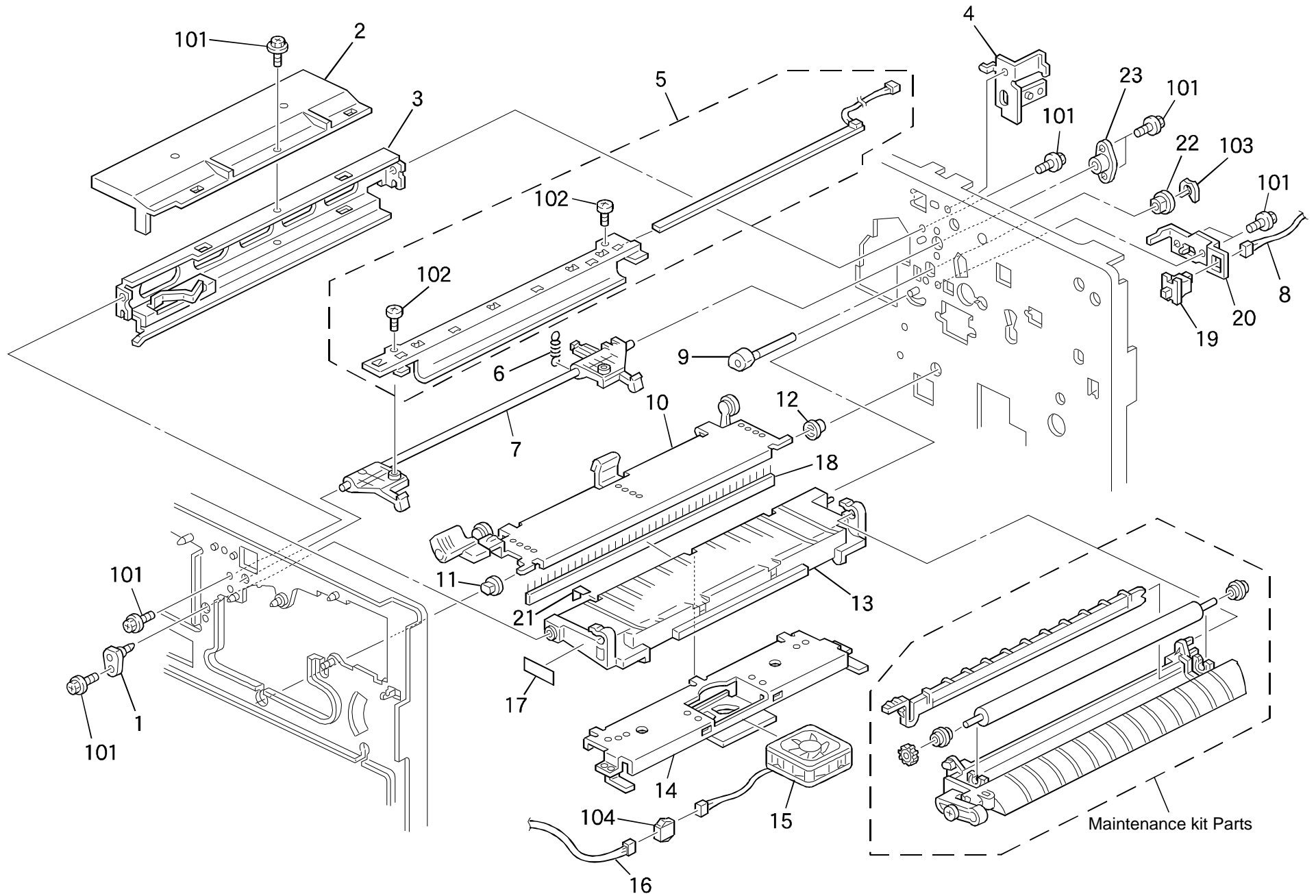


10.Inverter Unit (G020)

Index No.	Part No.	Description	Q'ty Per Assembly
1	G694 4639	Transport Guide Plate	1
2	G694 4638	Junction Gate	1
3	G694 4647	Junction Gate Spring	1
4	G694 4646	Front Holder	1
5	G694 4648	Inverter Unit Cover	1
6	G020 4479	Bushing - 6mm	2
7	G694 4660	Front Side Plate	1
8	G694 4634	Left Guide Plate	1
9	G694 4636	Right Guide Plate - Upper	1
10	G694 4640	Inverter Roller	1
11	G694 4673	Left Guide	1
12	G694 4670	Frame - Inverter Unit	1
13	G020 4490	Paper Exit Sensor	1
14	G694 4671	Right Guide Plate - Lower	1
15	G694 4672	Right Guide	1
16	G694 5470	Inverter Unit Harness	1
17	G694 4641	Gear - 24Z	1
18	G694 4643	Gear - 18Z	2
19	G694 4642	Gear - 17Z	1
20	G020 4425	DC Solenoid	1
21	G694 4645	Junction Gate Lever	1
22	G694 4650	Rear Side Plate	1
23	G020 4492	Knob - Guide Plate	2
24	G020 4493	Magnet	2
25	AF04 0031	Upper Exit Roller	2
26	G012 1531	Magnet	4
27	G020 4491	Roller Holder	2

Index No.	Part No.	Description	Q'ty Per Assembly
101	0453 3008B	Tapping Screw - M3x8	
102	0720 0040B	Retaining Ring - M4	
103	0313 0040B	Philips Pan Head Screw - M3x4	
104	0452 3008B	Tapping Screw - M3x8	

11.Transport Section 1 (G020)

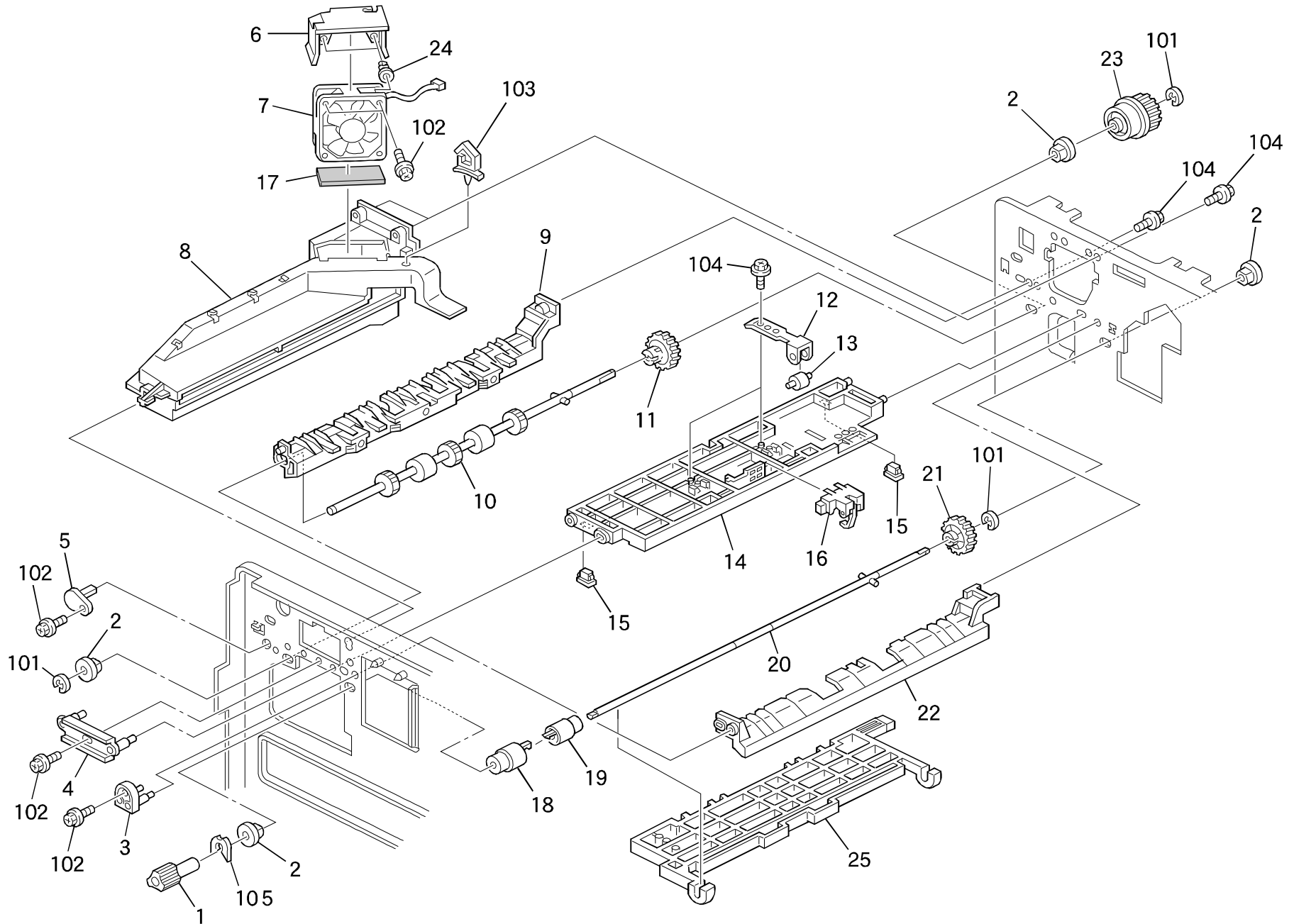


11.Transport Section 1 (G020)

Index No.	Part No.	Description	Q'ty Per Assembly
1	G020 3888	Pin - Transfer Guide	1
2	G020 1106	Right Duct	1
3	G020 1098	Stay - OPU	1
4	G020 1194	Bracket - Fusing Drive Gear	1
5	G020 2160	Quenching Lamp	1
6	G020 2103	Tension Spring	1
7	G020 2170	Pressure Lever - Charge Roller	1
8	G020 5404	Harness - PCU Detector	1
9	G020 2121	Cam - Charge Roller	1
10	G020 3910	Stay - Transfer Unit	1
11	G020 3914	Bushing - Front Transfer Unit	1
12	G020 3915	Bushing - Rear Transfer Unit	1
13	G020 3880	Transport Guide Plate	1
14	G020 3882	Grounding Plate - Transfer Guide	1
15	G020 3887	Fan Motor - DC3.12W	1
16	G020 5226	Relay Harness - Transport Fan	1
17	G020 4128	Decal - High Temperature	1
18	G020 3897	Discharge Brush - Transport	1
19	G020 5626	Push Switch	1
20	G020 5817	Bracket - OPU Switch	1
21	G020 3896	Ground Plate - Discharge Brush	1
22	AA08 2070	Bushing - 8x16x7	1
23	G020 2106	Bushing - Pressure Lever	1

Index No.	Part No.	Description	Q'ty Per Assembly
101	0451 3006B	Tapping Screw - M3x6	
102	0452 3008B	Tapping Screw - M3x8	
103	0805 0088	Retaining Ring - M6	
104	1102 6245	Connector - 2P	

12.Transport Section 2 (G020)

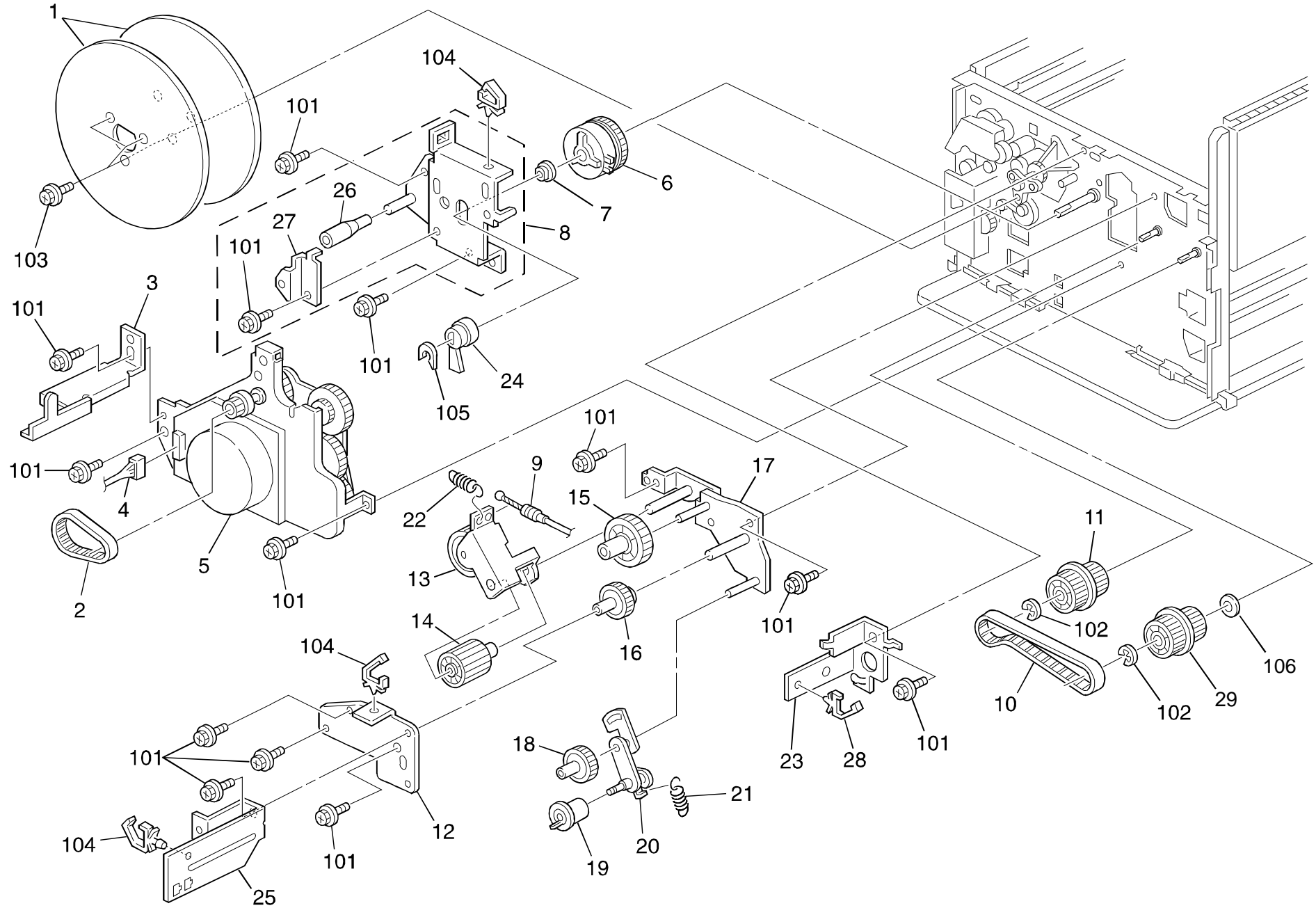


12.Transport Section 2 (G020)

Index No.	Part No.	Description	Q'ty Per Assembly
1	G020 4480	Fusing Knob	1
2	G020 4479	Bushing - 6mm	4
3	G020 4477	Support Bracket - Transport Plate	1
4	G020 4476	Guide Plate Holder	1
5	G020 4331	Front Stud - 1bin Sorter	1
6	G020 1104	Fan Motor Holder	1
7	AX64 0058	Fan Motor - DC 24V 4.32W	1
8	A224 1100	Duct	1
9	G020 4459	Relay Guide - Transport Roller	1
10	G020 4414	Transport Roller Ass'y	1
11	G020 4487	Gear - 26Z	1
12	G020 4491	Roller Holder	2
13	AF04 0031	Upper Exit Roller	2
14	G020 4473	Upper Transport Guide	1
15	G012 1531	Magnet	2
16	G020 4472	Paper Feed Sensor	1
17	G020 1105	Cushion - Fan Motor	1
18	G020 4457	Transport Roller - 1	1
19	G020 4458	Transport Roller 2	1
20	G020 4413	Shaft - Transport Roller	1
21	G020 4489	Gear - 24Z	1
22	G020 4475	Guide Plate - Transport	1
23	G020 4382	Pulley 40z	1
24	G020 1107	Nut - M4	2
25	G020 4412	Lower Transport Plate Ass'y	1

Index No.	Part No.	Description	Q'ty Per Assembly
101	0720 0040E	Retaining Ring - M4	
102	0451 3006B	Tapping Screw - M3x6	
103	1105 0310	Wire Clamp	
104	0450 3008B	Tapping Screw - M3x8	
105	0805 0089	Retaining Ring - M4	

13. Drive Section 1 (G020)

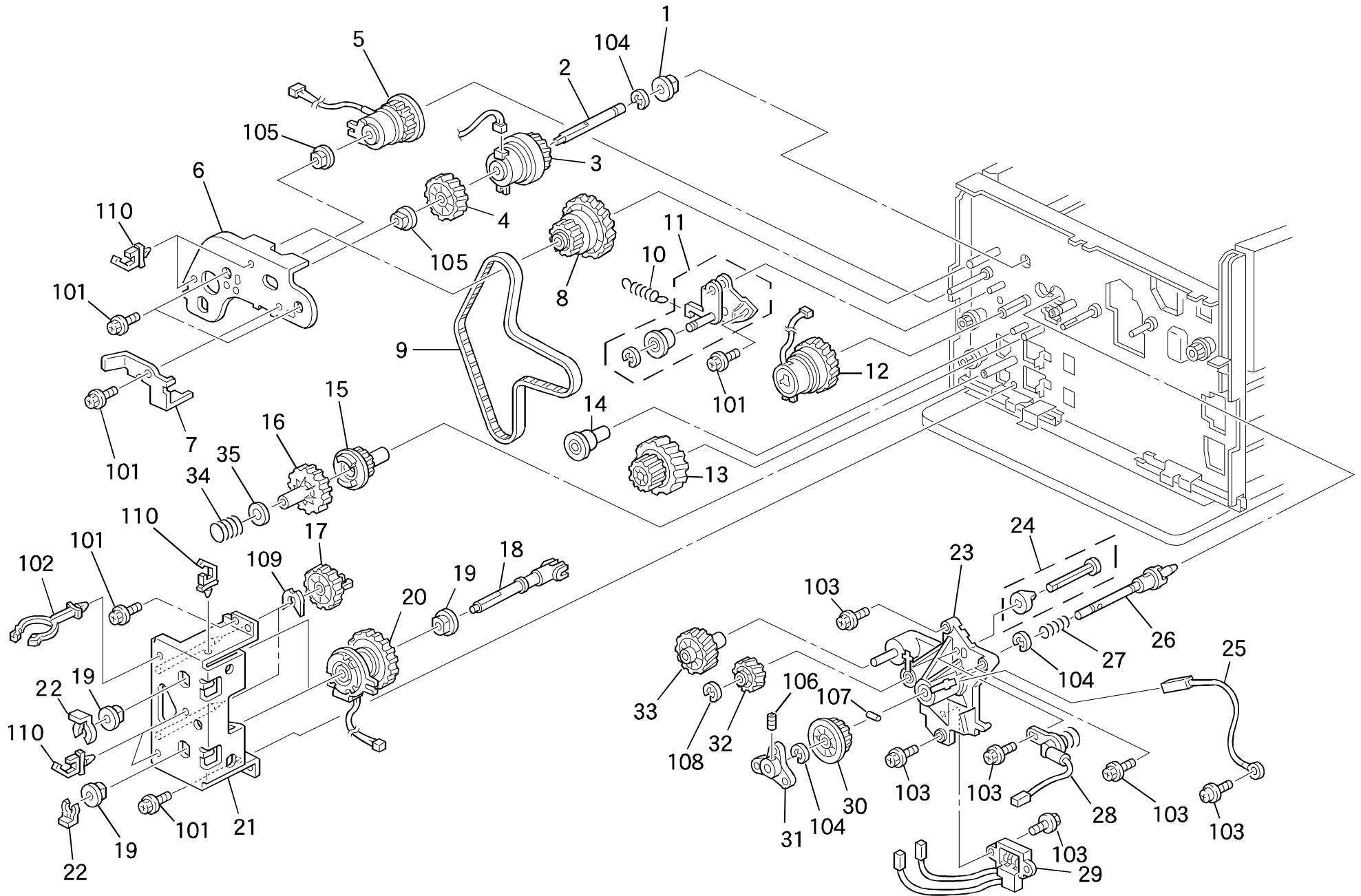


13. Drive Section 1 (G020)

Index No.	Part No.	Description	Q'ty Per Assembly
1	G020 1189	Fly Wheel	2
2	G020 1187	Timing Belt - S2M 158MM	1
3	A193 5865	Stand - IOB	1
4	G020 5435	Harness - Main Motor	1
5	G020 1725	Main Motor Ass'y - 31W	1
6	G020 1117	Charge Roller Contact Clutch	1
7	AA08 2070	Bushing - 8x16x7	1
8	G020 1796	Bracket - Charge Roller	1
9	G020 5839	Release Wire - Fusing Drive	1
10	G020 4380	Timing Belt - 60S2M296	1
11	G020 4381	Gear/pulley - 20Z/43Z	1
12	G020 1158	Support Bracket - Fusing Drive	1
13	G020 1153	Gear - 40Z	1
14	G020 1157	Gear - 28Z	1
15	G020 1167	Gear - 35Z	1
16	G020 4441	Idle Gear - 27z	1
17	G020 1150	Fusing Drive Bracket	1
18	G020 4442	Idle Gear - 27z	1
19	G020 4484	Tightener	1
20	G020 4330	Tightener Bracket	1
21	G020 4449	Spring - Tightener	1
22	G020 1084	Tension Spring	1
23	G020 1194	Bracket - Fusing Drive Gear	1
24	G020 2143	Actuator - Charge Roller Clutch	1
25	G020 5841	Harness Bracket	1
26	G020 1188	Tightner - PCU	1
27	G020 1118	Holder - PCU Drive	1
28	A060 2741	Harness Clamp	1
29	G020 4382	Pulley 40z	1

Index No.	Part No.	Description	Q'ty Per Assembly
101	0451 3006B	Tapping Screw - M3x6	
102	0720 0040E	Retaining Ring - M4	
103	0451 3014B	Tapping Screw - M3-14	
104	1105 0460	Clamp	
105	0805 0088	Retaining Ring - M6	
106	0807 4142	Washer - M6	

14. Drive Section 2 (G020)

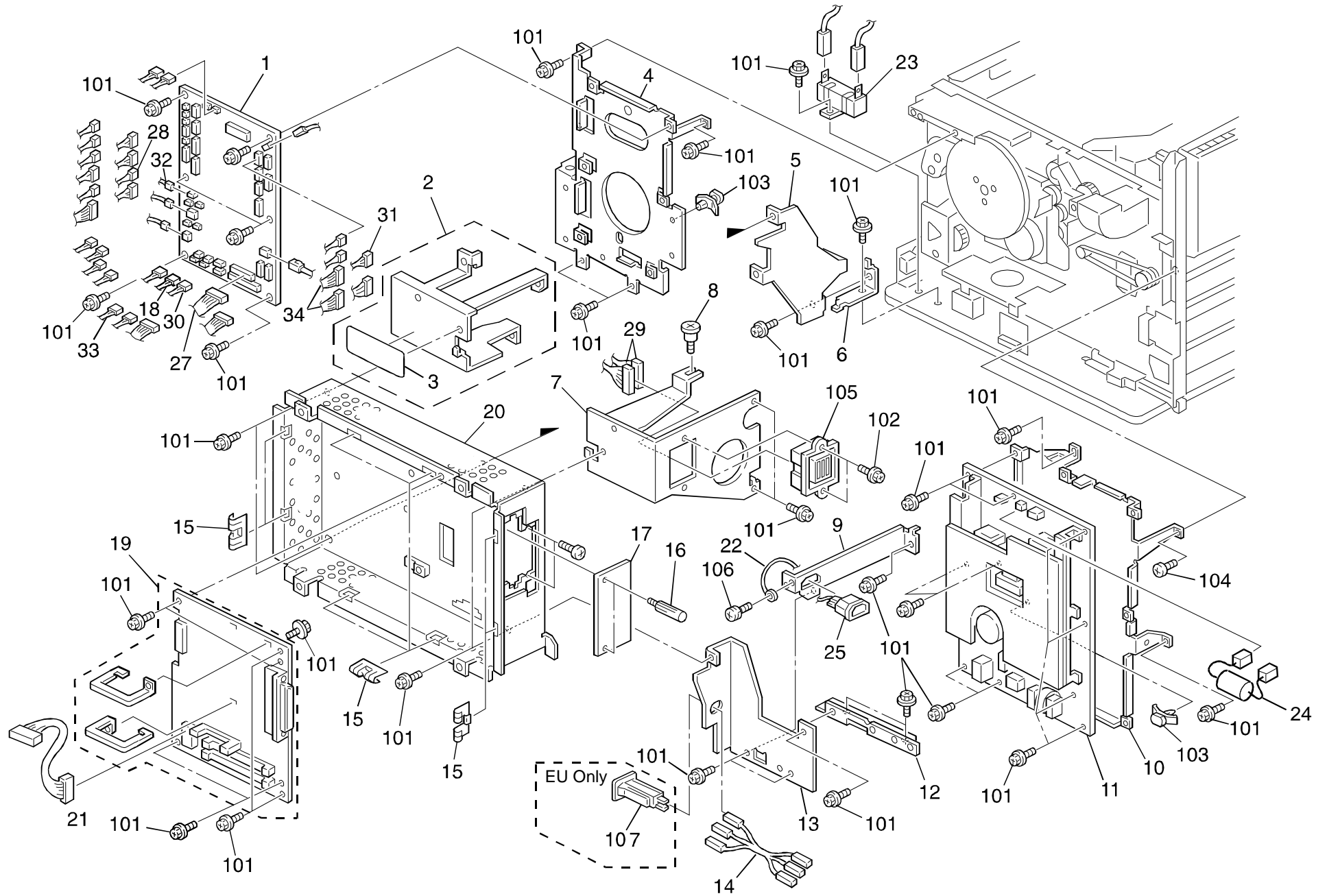


14. Drive Section 2 (G020)

Index No.	Part No.	Description	Q'ty Per Assembly
1	AA08 2070	Bushing - 8x16x7	1
2	G020 1162	Development Clutch Shaft	1
3	G020 1116	Development Clutch	1
4	G020 1163	Gear - 43Z	1
5	G020 1114	By-pass Feed Clutch	1
6	G020 1165	Development Drive Bracket	1
7	G020 1166	Stopper Bracket - Development Clutch	1
8	G020 1147	Pulley - 65Z/26T	1
9	G020 1720	Timing Belt - S3M 597mm	1
10	G020 1086	Spring - Tightener	1
11	G020 1190	Tightener Bracket Ass'y	1
12	G020 1115	Registration Clutch	1
13	G020 1168	Gear - 52Z/26T	1
14	G020 1146	Belt Tightener	1
15	G020 1721	Timing Pulley - 38t	1
16	G020 1169	Gear - 40Z	1
17	G020 1144	Gear - 27Z	2
18	G020 1145	Shaft - Paper Feed Roller	2
19	G020 1119	Bushing - M8	4
20	G020 1112	Paper Feed Clutch	2
21	G020 1741	Drive Unit - Paper Feed	1
22	G020 1160	Snap Ring	2
23	G020 1171	Bracket - PCU Driver	1
24	G020 1047	Development Drive Shaft	1
25	G020 5493	Grounding Wire - Drum	1
26	G020 1180	PCU Drive Shaft	1
27	G020 1183	Pressure Spring	1
28	G020 2110	Terminal - Charge Roller	1
29	G020 3890	Receptacle - Transfer Unit	1
30	G020 1178	Pulley - 51T	1
31	G020 1184	Bracket - Fly Wheel	1
32	G020 1177	Gear - 26Z	1
33	G020 1164	Gear - 37Z	1
34	G020 2682	Spring - 2.4n	1
35	5353 1803	Wave Washer	1

Index No.	Part No.	Description	Q'ty Per Assembly
101	0451 3006B	Tapping Screw - M3x6	
102	1105 0458	Clamp - LHL-18	
103	0451 3014B	Tapping Screw - M3-14	
104	0720 0060E	Retaining Ring - M6	
105	0805 3385	Bushing - 6mm	
106	0574 0050E	Hexagon Headless Set Screw - M4x5	
107	0633 0120E	Spring Pin - M3x12	
108	0720 0040E	Retaining Ring - M4	
109	0805 0089	Retaining Ring - M4	
110	1105 0291	Wire Saddle	

15. Electrical Section 1 (G020)

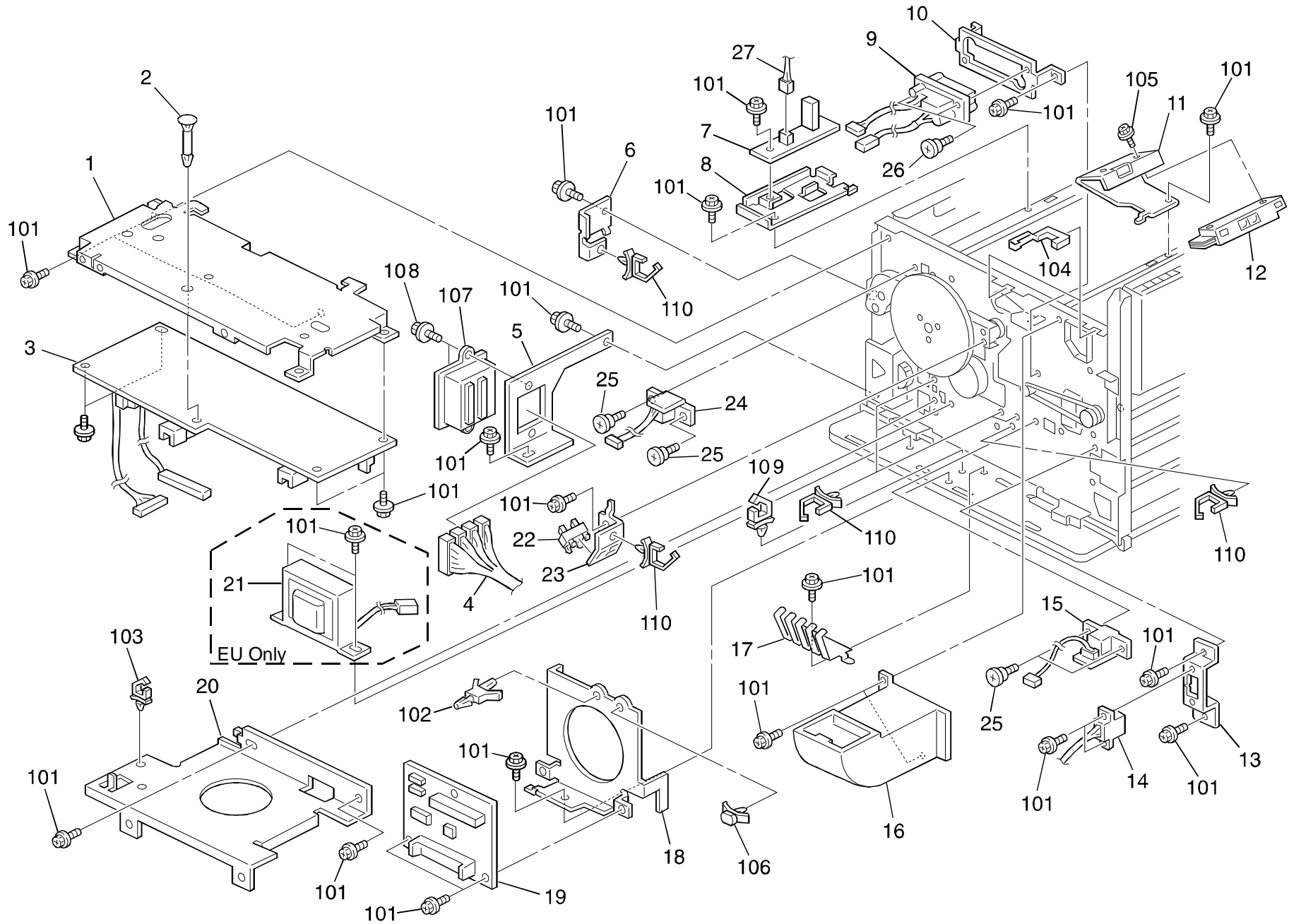


15.Electrical Section 1 (G020)

Index No.	Part No.	Description	Q'ty Per Assembly
1	G020 5304	BECU Board - 115V	1
1	G020 5306	BECU Board - 230V	1
2	G020 5837	Right Upper Bracket Ass'y 115V	1
2	G020 5838	Right Upper Bracket Ass'y 230V	1
3	G020 1921	Decal - Optics Fiber 115V	1
3	G020 1919	Decal - Optics Fiber 230V	1
4	G020 5840	BECU Board Bracket	1
5	G020 5844	Bracket - Right Lower	1
6	G020 5863	Stand - Right And Lower Side	1
7	G020 5845	Bracket - Left Upper Ass'y	1
8	G004 3519	Stepping Screw	1
9	G020 5864	Bracket - Inlet 115V	1
9	G020 5853	Bracket - Inlet 230V	1
10	A193 5835	PSU Bracket	1
11	A193 5800	DC Power Supply Board - 115V	1
11	A193 5061	DC Power Supply Board - 220/240V	1
12	G020 5862	Support Bracket - Base	1
13	G020 5852	Support Plate - Inlet	1
14	G020 5450	Harness - AC Inlet 115V	1
14	G020 5240	Harness - AC Inlet 230V	1
15	G020 5866	Spring Plate	8
16	G020 1327	Knob Screw - M3	2
17	G020 5849	Network Cover	1
18	G020 5494	Inverter Relay Harness	1
19	G020 5834	Main Control Board	1
20	G020 5855	Bracket - Control Board Ass'y	1
21	G020 5235	Operation Panel Harness	1
22	G020 5713	Ground Wire - Inlet	1
23	G020 5436	Harness - Laser Diode Control	1
24	G020 5714	Resistor - 5 Ω \pm 5% 10W	1
25	G020 5712	Noise Filter - Inlet 115V	1
25	G020 5700	Inlet Ass'y 230V	1
27	G020 5225	Relay Harness - Paper Bank	1
28	G020 5441	Relay Harness - PCU	1
29	G020 5207	Relay Harness - Finisher	1

Index No.	Part No.	Description	Q'ty Per Assembly
30	G020 5212	Harness - DC Power Supply	1
31	G020 5412	Harness - Fan Motor	1
32	G020 5419	Door Switch Harness	1
33	G020 5409	Harness - Paper End Sensor	1
34	G020 5436	Harness - Laser Diode Control	1
101	0451 3006B	Tapping Screw - M3x6	
102	0802 5225	Tapping Screw - M4X8	
103	1105 0409	Spacer	
104	0957 3008B	Philips Screw	
105	1102 7445	Connector - 46P	
106	0801 0149	Philips Panhead Screw - M4X6	
107	1107 0472	Circuit Breaker - 250V/8A	

16. Electrical Section 2 (G020)

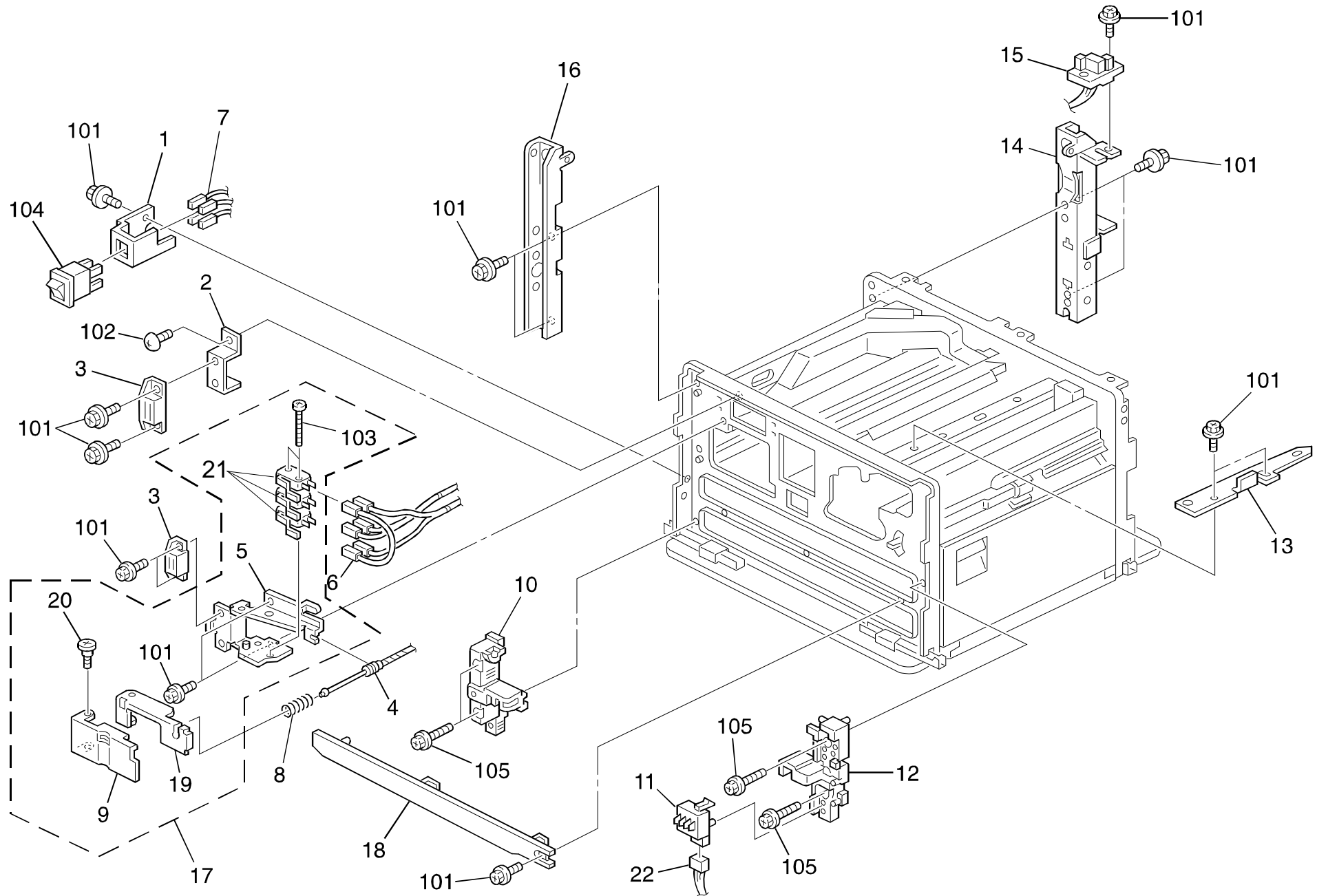


16.Electrical Section 2 (G020)

Index No.	Part No.	Description	Q'ty Per Assembly
1	G020 5870	Bracket - Power Pack	1
2	G020 5871	Spacer - Kgls-12RF	1
3	A224 5739	Power Pack - BCTD	1
4	G020 5206	Relay Harness - LCIT	1
5	G020 5850	Bracket - Connector - Large Capacity TR	1
6	G020 1715	Bracket - Harness Clamp	1
7	G020 5625	Humidity Sensor	1
8	G020 2135	Bracket - Humidity Sensor	1
9	G020 5211	Fusing Unit Harness - 115V	1
9	G020 5214	Fusing Unit Harness - 230V	1
10	G020 5818	Bracket - Drawer Connector	1
11	G020 5861	Sensor Bracket - Paper Exit	1
12	AW01 0070	Photosebsor - PS-R11D1-B	1
13	G020 5816	Bracket - Duplex Harness	1
14	G020 5497	Harness - Duplex Unit	1
15	G020 5116	Inverter Unit Connector	1
16	G020 1108	Rear Exhaust Duct	1
17	A193 5837	Grounding Plate - PSU	1
18	G020 5851	Bracket - Paper Bank Relay	1
19	G020 5312	PCB - Paper Bank	1
20	A193 5864	IOB Support Bracket	1
21	AZ02 0010	Choke Coil - 10MH-2A	1
22	AW02 0075	Photointerrupter	1
23	G020 2141	Bracket - Charge Roller Contact Sn	1
24	G020 5115	PCU Relay Board	1
25	G020 5829	Shoulder Screw - M3x2.5	4
26	AA14 3301	Stepped Screw - M3x4	2
27	G020 5415	Harness - Humidity Sensor	1

Index No.	Part No.	Description	Q'ty Per Assembly
101	0451 3006B	Tapping Screw - M3x6	
102	1105 0159	PCB Stud	
103	1105 0292	Wire Saddle	
104	1105 0334	Edge - 17	
105	0451 3012B	Tapping Screw With Washer - M3X12	
106	1106 0554	Locking Support	
107	1102 7445	Connector - 46P	
108	0802 5225	Tapping Screw - M4X8	
109	1105 0291	Wire Saddle	
110	1105 0460	Clamp	

17.Frame Section 1 (G020)

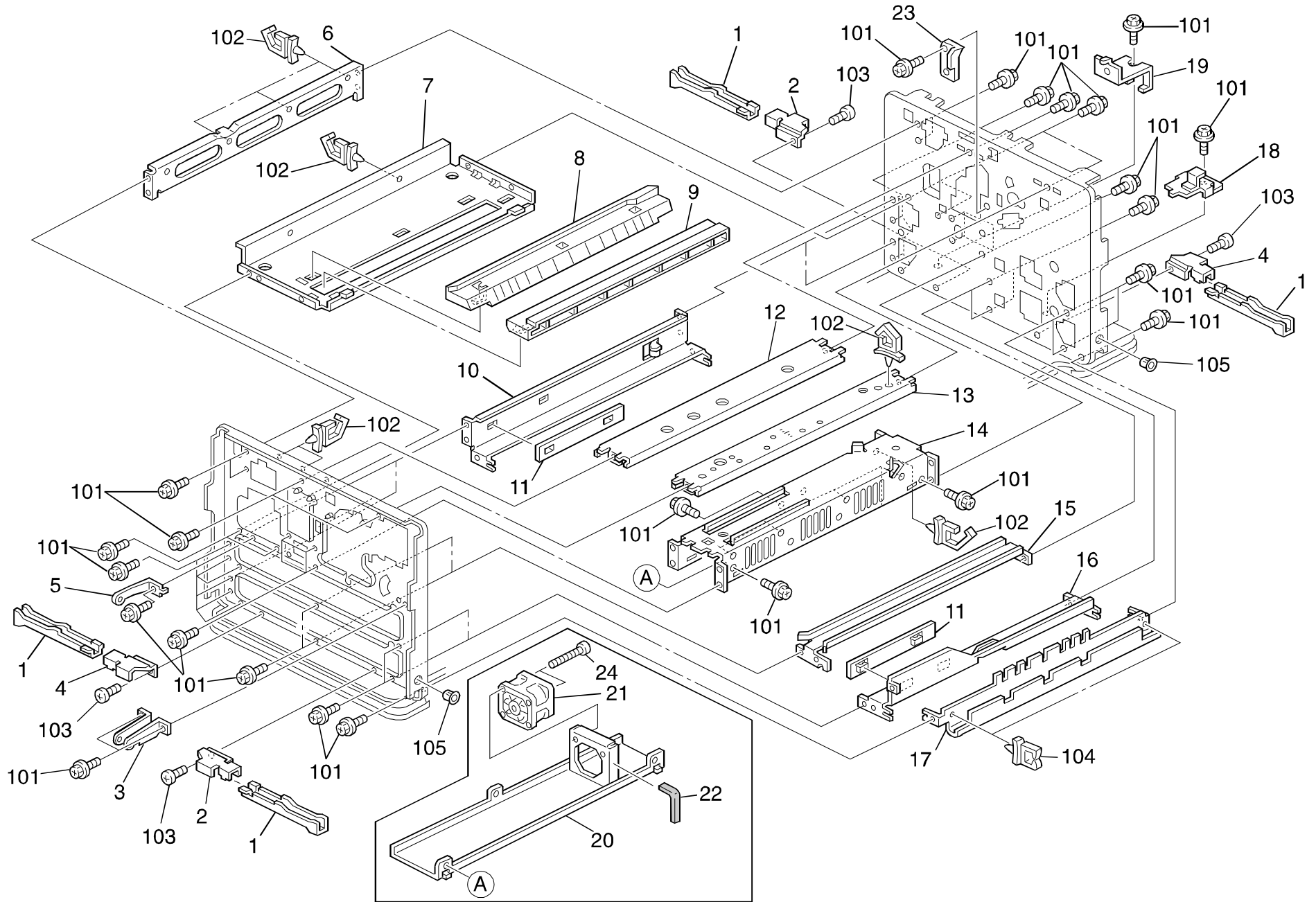


17.Frame Section 1 (G020)

Index No.	Part No.	Description	Q'ty Per Assembly
1	G020 5826	Bracket - Main Switch	1
2	G020 5813	Bracket - Magnet	1
3	AG07 0004	Magnetic Catch	2
4	G020 5839	Release Wire - Fusing Drive	1
5	G020 5808	Bracket - Safety Switch	1
6	G020 5486	Harness - Front Door SW	1
7	G020 5213	Harness - Main Switch	1
8	G020 5835	Release Spring - Fusing Drive	1
9	G020 5811	Safety Switch Actuator	1
10	G020 2677	Support - Paper Tray - Left	1
11	G020 2620	Push Switch - Paper Size	1
12	G020 2676	Support - Paper Tray - Right	1
13	G020 1054	Positioning Plate	1
14	G020 1079	Rear Guide Stay - Sorter	1
15	G020 5443	Relay Harness - 4bin Tray	1
16	G020 1080	Front Guide Stay - Sorter	1
17	G020 5807	Safety Switch Ass'y	1
18	G020 1316	Inner Cover - Paper Feed Tray	1
19	G020 5815	Actuator - Release Gear	1
20	G020 5829	Shoulder Screw - M3x2.5	1
21	G020 5812	Microswitch	3
22	G020 5403	Harness - Paper Size Detector	1

Index No.	Part No.	Description	Q'ty Per Assembly
101	0451 3006B	Tapping Screw - M3x6	
102	0802 5255	Tapping Screw - M3x8	
103	0313 0400B	Tapping Screw - W3x40	
104	1204 2449	Rocker Switch - AC250V 10A	
105	0451 3014B	Tapping Screw - M3x14	

18.Frame Section 2 (G020)



18.Frame Section 2 (G020)

Index No.	Part No.	Description	Q'ty Per Assembly
1	A193 1070	Grip Plate	4
2	A134 1072	Right Bracket - Grip Plate	2
3	G020 1330	Right Hinge Bracket - Front Door	1
4	G020 1085	Bracket - Grip Plate	2
5	G020 1331	Left Hinge Bracket - Front Door	1
6	G020 1074	Harness Stay	1
7	G020 1073	Lower Left Plate	1
8	G020 1090	Left Relay Guide	1
9	G020 1087	Right Relay Guide	1
10	G020 2651	Left Guide - Paper Tray	1
11	G020 2678	Guide Plate - Paper Tray	2
12	G020 1071	Left Stay - Laser Unit	1
13	G020 1070	Right Stay - Laser Unit	1
14	A193 1073	Rail - Fusing Unit	1
15	G020 2652	Middle Rail - Paper Tray	1
16	G020 2650	Right Guide - Paper Tray	1
17	G020 2631	Stay - Vertical Transport	1
18	G020 1717	Right Holder - Set Pin	1
19	G020 1722	Left Holder - Set Pin	1
20	A224 1073	Relay Harness Cover	1
21	AX64 0024	Fan Motor - DC24V 2.16W	1
22	A224 1076	Seal - Fan Motor	1
23	G020 3940	Guide - Transfer Roller Unit	1
24	6792 1759	Pan Head Screw - M3X32	2

Index No.	Part No.	Description	Q'ty Per Assembly
101	0451 3006B	Tapping Screw - M3x6	
102	1105 0291	Wire Saddle	
103	0434 0060B	Pan Head Self-tapping Screw - M4x6	
104	1105 0230	Clamp	
105	1105 0334	Edge - 17	

19.BECU Board (G020)

CAPACITOR

SYMBOL NO.	INDEX NO.	SYMBOL NO.	INDEX NO.	SYMBOL NO.	INDEX NO.	SYMBOL NO.	INDEX NO.	SYMBOL NO.	INDEX NO.	SYMBOL NO.	INDEX NO.	SYMBOL NO.	INDEX NO.
C101	176	C111	181	C121	181	C131	182	C141	182	C151	181	C161	182
C102	176	C112	----	C122	181	C132	181	C142	180	C152	182	C162	181
C103	176	C113	----	C123	181	C133	181	C143	182	C153	181	C163	182
C104	182	C114	181	C124	181	C134	182	C144	181	C154	181	C164	182
C105	181	C115	181	C125	177	C135	182	C145	181	C155	181	C165	181
C106	181	C116	181	C126	177	C136	181	C146	181	C156	181	C166	182
C107	181	C117	181	C127	182	C137	180	C147	181	C157	181	C167	181
C108	181	C118	181	C128	178	C138	181	C148	181	C158	182	C168	178
C109	181	C119	181	C129	178	C139	181	C149	181	C159	182	C169	178
C110	181	C120	181	C130	----	C140	181	C150	182	C160	181	C170	181

CAPACITOR

SYMBOL NO.	INDEX NO.	SYMBOL NO.	INDEX NO.	SYMBOL NO.	INDEX NO.	SYMBOL NO.	INDEX NO.	SYMBOL NO.	INDEX NO.	SYMBOL NO.	INDEX NO.	SYMBOL NO.	INDEX NO.
C171	182	C181	182	C191	----	C201	----	C211	181	C221	180	C231	181
C172	182	C182	181	C192	----	C202	181	C212	182	C222	181	C232	181
C173	182	C183	----	C193	181	C203	181	C213	182	C223	182	C233	182
C174	181	C184	177	C194	182	C204	181	C214	182	C224	182	C234	181
C175	181	C185	175	C195	181	C205	181	C215	181	C225	182	C235	180
C176	181	C186	----	C196	182	C206	182	C216	181	C226	181	C236	182
C177	177	C187	----	C197	181	C207	181	C217	182	C227	181	C237	182
C178	182	C188	----	C198	156	C208	182	C218	182	C228	181	C238	182
C179	181	C189	----	C199	156	C209	181	C219	182	C229	181	C239	181
C180	182	C190	----	C200	182	C210	182	C220	181	C230	181	C240	182

19.BECU Board (G020)

CAPACITOR

SYMBOL NO.	INDEX NO.	SYMBOL NO.	INDEX NO.	SYMBOL NO.	INDEX NO.	SYMBOL NO.	INDEX NO.	SYMBOL NO.	INDEX NO.	SYMBOL NO.	INDEX NO.	SYMBOL NO.	INDEX NO.
C241	182	C251	181	C261	182	C271	182	C281	179	C291	181	C301	181
C242	181	C252	181	C262	182	C272	182	C282	181	C292	181	C302	181
C243	180	C253	181	C263	182	C273	182	C283	179	C293	181	C303	181
C244	181	C254	181	C264	181	C274	182	C284	177	C294	181	C304	181
C245	181	C255	181	C265	181	C275	182	C285	179	C295	181	C305	181
C246	181	C256	181	C266	181	C276	182	C286	179	C296	181	C306	181
C247	181	C257	181	C267	182	C277	182	C287	----	C297	181	C307	181
C248	181	C258	181	C268	182	C278	182	C288	179	C298	181	C308	181
C249	181	C259	181	C269	182	C279	179	C289	181	C299	181	C309	181
C250	181	C260	181	C270	182	C280	179	C290	181	C300	181	C310	181

CAPACITOR

SYMBOL NO.	INDEX NO.
C311	181
C312	181
C313	181
C314	181
C315	181
C316	180
C317	179
C318	179
C319	179
C320	179

CONNECTOR

SYMBOL NO.	INDEX NO.
C321	180
C322	181
C323	182
C324	181

SYMBOL NO.	INDEX NO.
CN101	128
CN102	126
CN103	110
CN104	103
CN105	127
CN106	123
CN107	107
CN108	102
CN109	108
CN110	107

SYMBOL NO.	INDEX NO.
CN111	102
CN112	122
CN113	----
CN114	----
CN115	----
CN116	112
CN117	116
CN118	102
CN119	125
CN120	119

SYMBOL NO.	INDEX NO.
CN121	106
CN122	113
CN123	117
CN124	115
CN125	104
CN126	----
CN127	----
CN128	118
CN129	----
CN130	----

SYMBOL NO.	INDEX NO.
CN151	130
CN152	----
CN153	----
CN154	----
CN155	----
CN156	----
CN157	121
CN158	107
CN159	----
CN160	112

SYMBOL NO.	INDEX NO.
CN161	104
CN162	105
CN163	----
CN164	----
CN165	----
CN166	----
CN167	----
CN168	----
CN169	----
CN170	109

19.BECU Board (G020)

CONNECTOR

SYMBOL NO.	INDEX NO.
CN171	111
CN172	103
CN173	124
CN174	131
CN175	120
CN176	106
CN177	132
CN178	----
CN179	129
CN180	114

SYMBOL NO.	INDEX NO.
CN181	105

DA

SYMBOL NO.	INDEX NO.
DA101	138
DA102	138
DA103	138
DA104	138

DIODE

SYMBOL NO.	INDEX NO.
D 101	139

FUSE

SYMBOL NO.	INDEX NO.
FU101	135
FU102	135
FU103	135

IC

SYMBOL NO.	INDEX NO.
IC101	----
IC102	----
IC103	141
IC104	----
IC105	----
IC106	----
IC107	2
IC108	3
IC109	141
IC110	148
(Socket)	133

SYMBOL NO.	INDEX NO.
IC111	147
IC112	141
IC113	146
IC114	141
IC115	1
IC116	----
IC117	----
IC118	141
IC119	142
IC120	141

SYMBOL NO.	INDEX NO.
IC121	183
IC122	183
IC123	----
IC124	----
IC125	4
(Socket)	134
IC126	150
IC127	144
IC128	149
IC129	145
IC130	----

OSC

SYMBOL NO.	INDEX NO.
OSC 1	151

Q

SYMBOL NO.	INDEX NO.
Q101	----
Q102	----
Q103	136
Q104	140
Q105	140
Q106	143
Q107	143
Q108	143
Q109	137
Q110	137

RESISTOR

SYMBOL NO.	INDEX NO.
R101	165
R102	169
R103	165
R104	----
R105	----
R106	----
R107	----
R108	----
R109	----
R110	160

SYMBOL NO.	INDEX NO.
R111	168
R112	----
R113	171
R114	160
R115	165
R116	169
R117	152
R118	----
R119	----
R120	----

SYMBOL NO.	INDEX NO.
R121	----
R122	----
R123	166
R124	----
R125	168
R126	161
R127	166
R128	168
R129	160
R130	165

SYMBOL NO.	INDEX NO.
R131	162
R132	166
R133	161
R134	161
R135	160
R136	172
R137	160
R138	161
R139	164
R140	170

SYMBOL NO.	INDEX NO.
R141	165
R142	164
R143	171
R144	174
R145	173
R146	175
R147	161
R148	158
R149	158
R150	158

19.BECU Board (G020)

RESISTOR

SYMBOL NO.	INDEX NO.	SYMBOL NO.	INDEX NO.	SYMBOL NO.	INDEX NO.	SYMBOL NO.	INDEX NO.	SYMBOL NO.	INDEX NO.	SYMBOL NO.	INDEX NO.	SYMBOL NO.	INDEX NO.
R151	167	R161	167	R171	160	R181	159	R191	161	R201	----	R211	168
R152	167	R162	169	R172	160	R182	159	R192	161	R202	168	R212	----
R153	167	R163	167	R173	160	R183	159	R193	----	R203	160	R213	165
R154	161	R164	167	R174	----	R184	160	R194	165	R204	166	R214	169
R155	161	R165	169	R175	----	R185	161	R195	169	R205	166	R215	165
R156	158	R166	167	R176	167	R186	---	R196	165	R206	165	R216	161
R157	167	R167	161	R177	159	R187	160	R197	161	R207	160	R217	161
R158	158	R168	167	R178	159	R188	----	R198	165	R208	----	R218	161
R159	160	R169	---	R179	159	R189	161	R199	----	R209	168	R219	160
R160	167	R170	160	R180	163	R190	161	R200	----	R210	166	R220	165

RESISTOR

SYMBOL NO.	INDEX NO.	SYMBOL NO.	INDEX NO.	SYMBOL NO.	INDEX NO.	SYMBOL NO.	INDEX NO.	SYMBOL NO.	INDEX NO.	SYMBOL NO.	INDEX NO.	SYMBOL NO.	INDEX NO.
R221	169	R231	159	R241	161	R251	159	RN101	154	RN121	----	RN131	----
R222	165	R232	160	R242	161	R252	161	RN102	154	RN122	----	RN132	154
R223	161	R233	161	R243	161	R253	161	RN103	154	RN123	----	RN133	154
R224	161	R234	161	R244	160	R254	161	RN104	154	RN124	----	RN134	154
R225	166	R235	166	R245	159	R255	159	RN105	154	RN125	154	RN135	154
R226	161	R236	160	R246	160	R256	161	RN106	154	RN126	154	RN136	153
R227	161	R237	157	R247	159	R257	160	RN107	----	RN127	154	RN137	154
R228	158	R238	160	R248	166	R258	171	RN108	----	RN128	154	RN138	154
R229	160	R239	160	R249	159	R259	160	RN109	----	RN129	154	RN139	153
R230	----	R240	160	R250	159	R260	----	RN110	----	RN130	----	RN140	153

RN

19.BECU Board (G020)

RN

SYMBOL NO.	INDEX NO.	SYMBOL NO.	INDEX NO.	SYMBOL NO.	INDEX NO.	SYMBOL NO.	INDEX NO.	SYMBOL NO.	INDEX NO.	SYMBOL NO.	INDEX NO.	SYMBOL NO.	INDEX NO.
RN141	155	RN151	154	RN161	----	RN171	153	RN191	154	RN201	154	RN211	155
RN142	155	RN152	154	RN162	154	RN172	153	RN192	154	RN202	154		
RN143	155	RN153	154	RN163	----	RN173	153	RN193	154	RN203	154		
RN144	155	RN154	154	RN164	----	RN174	153	RN194	154	RN204	154		
RN145	155	RN155	154	RN165	----	RN175	153	RN195	154	RN205	154		
RN146	155	RN156	154	RN166	155	-----	----	RN196	154	RN206	154		
RN147	153	RN157	154	RN167	155	-----	----	RN197	154	RN207	154		
RN148	155	RN158	155	RN168	155	-----	----	RN198	154	RN208	154		
RN149	155	RN159	155	RN169	155	-----	----	RN199	154	RN209	154		
RN150	155	RN160	154	RN170	153	RN188	154	RN200	154	RN210	154		

TP

SYMBOL NO.	INDEX NO.	SYMBOL NO.	INDEX NO.
TP101	101	TP119	101
TP102	----	TP120	101
TP103	101	-----	----
TP104	101	-----	----
TP105	101	-----	----
TP106	----	TP121	101
TP107	----	TP123	101
TP108	101	TP125	101
TP109	----	TP127	101
TP110	----	TP128	101

19.BECU Board (G020)

Index No.	Part No.	Description	Q'ty Per Assembly
*	G020 5304	BECU Board - 115V	
*	G020 5306	BECU Board - 230V	
1	G020 5501	IC - UPD65643GM-014-3ED	
2	G020 5502	IC - UPD65643GM-015-3ED	
3	G020 5503	F432000PH	
4	G020 5541	UVEPROM 4M X16 120NS	

Index No.	Part No.	Description	Q'ty Per Assembly
101	1100 1474	Test Pin	
102	1102 4201	Connector - 2P	
103	1102 4202	Connector - 3P	
104	1102 4204	CT Header - 5P	
105	1102 4207	Connector - 8P	
106	1102 4209	CT Header - 10P	
107	1102 4619	Connector - 2P	
108	1102 4620	CT Header - 3P	
109	1102 4621	CT Header - 4P	
110	1102 4623	CT Connector - 6p	
111	1102 4625	CT Connector 8p	
112	1102 4631	CT Connector - 2p	
113	1102 4634	CT Connector - 5p	
114	1102 4637	CT Connector - 8p	
115	1102 4641	Cconnector - 12p	
116	1102 4643	CT Connector - 2p	
117	1102 4645	CT Connector - 4p	
118	1102 4647	Connector - 6P	
119	1102 4986	Connector - 5569-02A	
120	1102 4987	Connector - 5569-04A1	
121	1102 5007	CT Header - 14P	
122	1102 5307	Connector - 2P	
123	1102 6295	Connector - 2P	
124	1102 6298	Connector - 5p	
125	1102 6300	Connector - 7P	
126	1102 6303	Connector - 10P	
127	1102 6664	Connector - 6p	
128	1102 6890	Connector - 40P	
129	1102 6891	Connector - 50P	
130	1102 6958	Connector - 14P	
131	1102 7383	Connector - FC-102H	
132	1102 7717	Connector - TX24-30R-12ST-H1	
133	1104 0511	IC Socket - 8p - DICF-8CS-E	
134	1104 0612	Connector - 40P	
135	1107 0555	Fuse - 4A	

Index No.	Part No.	Description	Q'ty Per Assembly
136	1400 0390	Transistor - 2SA1122	
137	1400 0700	Transistor - DTD133HK	
138	1402 0478	Diode - 1SS226TE85L	
139	1402 0804	Silicon Diode - 45V - 0.3A	
140	1407 1535	IC - TD62308AP	
141	1407 2187	TTLIC - SN74LS07NS	
142	1407 2218	TTLIC - SN74LS06NS	
143	1407 2219	IC - TD62003AP	
144	1407 3357	Comparator - BA10393F	
145	1407 3488	CMOS - IC - TC74HC4053AF	
146	1407 4164	IC - MMID75XF	
147	1407 4440	IC - M37702S4BFP	
148	1407 4678	IC - BR93LC56A	
149	1408 0595	IC - NJM2904M	
150	1408 1204	IC - TA8083P	
151	1503 0788	Crystal Oscillator - 24Mhz	
152	1600 1449	Resistor - 47 Ω 3W	
153	1601 7800	Resistor Array - 1K Ω \pm 5% 1/16W	
154	1601 7801	Resistor Array - 10k Ω \pm 5% 1/16W	
155	1601 7812	Resistor Array - 100 Ω \pm 5% 1/16W	
156	1605 0577	Capacitor - 0.33 μ F+80-20%	
157	1607 0907	EMI Filter - ACB2012H-300	
158	1630 2391	Resistor - 390 Ω 1/8W	
159	1630 3101	Resistor - 100 Ω - 1/10W	
160	1630 3102	Resistor - 1K Ω 1/10W \pm 5%	
161	1630 3103	Resistor - 10K Ω 1/10W \pm 5%	
162	1630 3104	Resistor - 100K Ω 1/10W \pm 5%	
163	1630 3105	Resistor - 1M Ω \pm 5% 1/10W	
164	1630 3154	Resistor - 150K 0HM \pm 5% 1/10W	
165	1630 3243	Resistor - 24K Ω \pm 5% 1/10W	
166	1630 3330	Resistor - 33 Ω \pm 5% 1/10W	
167	1630 3332	Resistor - 3.3K Ω 1/10W \pm 5%	
168	1630 3471	Resistor - 470 Ω - 1/10W	
169	1630 3472	Resistor - 4.7K Ω 1/10W \pm 5%	

Index No.	Part No.	Description	Q'ty Per Assembly
170	1633 0000	Resistor - 0 Ω 1/10W	
171	1633 1001	Resistor - 1K Ω \pm 1% 1/10W	
172	1633 1002	Resistor - 10K Ω \pm 1% 1/10W	
173	1633 3301	Resistor - 3.3K Ω \pm 1% 1/10W	
174	1633 3901	Resistor - 3.9 Ω \pm 1% 1/10W	
175	1633 4701	Resistor - 4.7K Ω \pm 1% 1/10W	
176	1640 5470	Capacitor - 47 μ F \pm 20% 50V	
177	1642 5100	Capacitor - 10 μ F \pm 20% 50V	
178	1660 1100	Capacitor - 10pF 50V	
179	1660 3470	Capacitor - 47pF \pm 5% 50V	
180	1660 3471	Capacitor - 470pF 50V	
181	1660 7103	Capacitor - 10000pF 50V	
182	1660 7104	Capacitor - 100000pF 50V	
183	1902 0012	IC - Sram - 64K X8 100NS G1	

20.Main Control Board (G020)

CAPACITOR

SYMBOL NO.	INDEX NO.	SYMBOL NO.	INDEX NO.	SYMBOL NO.	INDEX NO.	SYMBOL NO.	INDEX NO.	SYMBOL NO.	INDEX NO.	SYMBOL NO.	INDEX NO.	SYMBOL NO.	INDEX NO.
C 1	123	C11	149	C21	145	C31	149	C41	149	C51	149	C61	146
C 2	123	C12	149	C22	149	C32	124	C42	149	C52	149	-----	---
C 3	123	C13	122	C23	149	C33	150	C43	149	C53	149	-----	---
C 4	123	C14	123	C24	149	C34	147	C44	149	C54	149	-----	---
C 5	123	C15	145	C25	149	C35	147	C45	149	C55	149	-----	---
C 6	123	C16	149	C26	149	C36	148	C46	149	C56	149	----	---
C 7	149	C17	149	C27	149	C37	149	C47	149	C57	146	-----	---
C 8	122	C18	145	C28	149	C38	149	C48	149	C58	146	-----	---
C 9	122	C19	145	C29	149	C39	149	C49	149	C59	146	-----	---
C10	151	C20	149	C30	149	C40	149	C50	149	C60	146	C100	149

CAPACITOR

SYMBOL NO.	INDEX NO.	SYMBOL NO.	INDEX NO.	SYMBOL NO.	INDEX NO.	SYMBOL NO.	INDEX NO.	SYMBOL NO.	INDEX NO.	SYMBOL NO.	INDEX NO.	SYMBOL NO.	INDEX NO.
C101	149	C111	149	C121	149	C131	149	C141	149	C151	148	C161	148
C102	149	C112	149	C122	149	C132	149	C142	149	C152	148	C162	148
C103	149	C113	149	C123	149	C133	149	C143	149	C153	148	C163	148
C104	149	C114	149	C124	149	C134	122	C144	149	C154	148		
C105	149	C115	149	C125	149	C135	122	C145	149	C155	148		
C106	149	C116	149	C126	149	C136	149	C146	149	C156	148		
C107	149	C117	149	C127	149	C137	149	C147	149	C157	148		
C108	149	C118	149	C128	149	C138	149	C148	148	C158	148		
C109	149	C119	149	C129	149	C139	149	C149	148	C159	148		
C110	149	C120	149	C130	149	C140	149	C150	148	C160	148		

20.Main Control Board (G020)

CONNECTOR

SYMBOL NO.	INDEX NO.
CN301	103
CN302	104
CN303	108
CN304	108
CN305	101
CN306	105
CN307	1
CN308	102
CN309	----
CN310	----

DIODE

SYMBOL NO.	INDEX NO.
D 1	109

FIL

SYMBOL NO.	INDEX NO.
FIL 1	125
FIL 2	128
FIL 3	128

IC

SYMBOL NO.	INDEX NO.
IC 1	3
IC 2	110
IC 3	10
IC 4	115
IC 5	4
(Socket)	107
IC 6	114
(Socket)	106
IC 7	11
IC 8	9
IC 9	6
IC10	7

SYMBOL NO.	INDEX NO.
IC11	113
IC12	113
IC13	112
IC14	111
IC15	111
IC16	8
IC17	8

JP

SYMBOL NO.	INDEX NO.
JP 1	144
JP 2	144
JP 3	----
JP 4	144
JP 5	----
JP 6	144

L

SYMBOL NO.	INDEX NO.
L 1	127
L 2	127
L 3	127
L 4	127
L 5	127
L 6	126
L 7	----
L 8	----
L 9	----
L 10	126

L

SYMBOL NO.	INDEX NO.
L 11	126
L 12	126

OSC

SYMBOL NO.	INDEX NO.
OSC 1	117

REG

SYMBOL NO.	INDEX NO.
REG 1	116

RESISTOR

SYMBOL NO.	INDEX NO.
R 1	131
R 2	130
R 3	130
R 4	129
R 5	130
R 6	143
R 7	143
R 8	132
R 9	137
R10	137

SYMBOL NO.	INDEX NO.
R11	137
R12	132
R13	132
R14	132
R15	132
R16	132
R17	140
R18	142
R19	----
R20	----

SYMBOL NO.	INDEX NO.
R21	139
R22	133
R23	137
R24	137
R25	137
R26	137
R27	137
R28	137
R29	137
R30	134

SYMBOL NO.	INDEX NO.
R31	134
R32	134
R33	134
R34	134
R35	134
R36	134
R37	134
R38	134
R39	134
R40	134

20.Main Control Board (G020)

RESISTOR

SYMBOL NO.	INDEX NO.	SYMBOL NO.	INDEX NO.	SYMBOL NO.	INDEX NO.	SYMBOL NO.	INDEX NO.	SYMBOL NO.	INDEX NO.	SYMBOL NO.	INDEX NO.	SYMBOL NO.	INDEX NO.
R41	134	R51	137	R61	139	R71	139	R81	131	R91	134	R101	139
R42	134	R52	134	R62	139	R72	139	R82	131	R92	134	R102	139
R43	134	R53	139	R63	139	R73	139	R83	131	R93	134	R103	139
R44	134	R54	139	R64	139	R74	139	R84	131	R94	134	R104	139
R45	134	R55	139	R65	139	R75	139	R85	131	R95	134	R105	132
R46	134	R56	139	R66	139	R76	139	R86	131	R96	134	R106	----
R47	137	R57	139	R67	139	R77	139	R87	----	R97	134	R107	----
R48	137	R58	139	R68	139	R78	139	R88	----	R98	134	R108	----
R49	137	R59	139	R69	139	R79	139	R89	139	R99	139	R109	----
R50	137	R60	139	R70	132	R80	139	R90	139	R100	139	R110	----

RESISTOR

SYMBOL NO.	INDEX NO.	SYMBOL NO.	INDEX NO.	SYMBOL NO.	INDEX NO.	SYMBOL NO.	INDEX NO.	SYMBOL NO.	INDEX NO.	SYMBOL NO.	INDEX NO.	SYMBOL NO.	INDEX NO.
R111	----	R121	131	R131	134	R141	142	R151	132	RN 1	119	RN11	120
R112	132	R122	131	R132	141	R142	142	R152	131	RN 2	119	RN12	120
R113	138	R123	131	R133	137	R143	137			RN 3	121	RN13	120
R114	138	R124	131	R134	134	R144	137			RN 4	119	RN14	120
R115	139	R125	137	R135	137	R145	137			RN 5	119		
R116	139	R126	143	R136	132	R146	137			RN 6	121		
R117	139	R127	143	R137	132	R147	137			RN 7	118		
R118	139	R128	143	R138	142	R148	137			RN 8	118		
R119	137	R129	143	R139	142	R149	131			RN 9	120		
R120	135	R130	136	R140	142	R150	131			RN10	120		

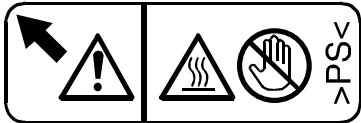
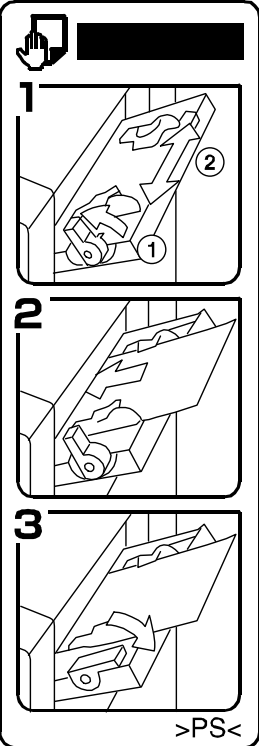
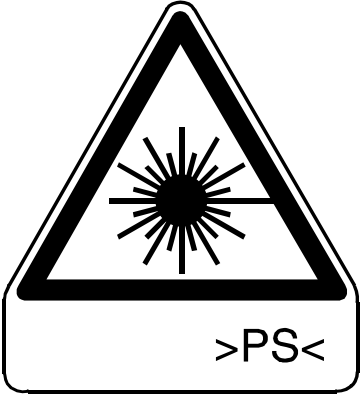
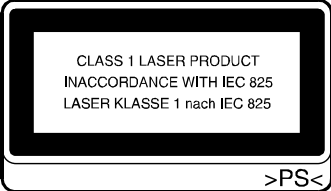
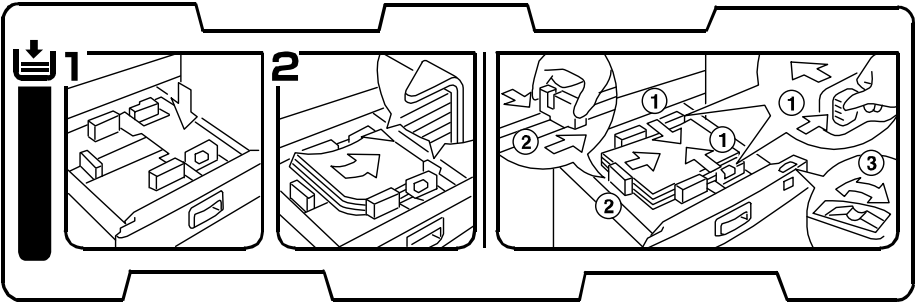
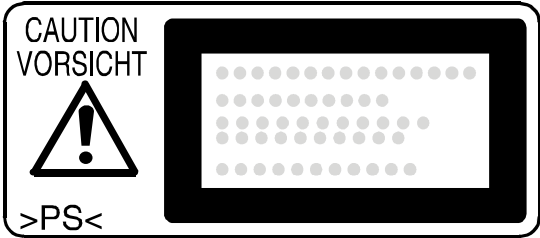
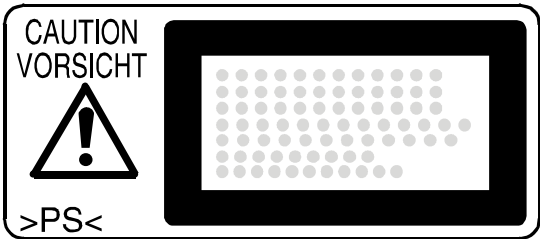
RN

20.Main Control Board (G020)

Index No.	Part No.	Description	Q'ty Per Assembly
*	G020 5350	Main Control Board	
1	A649 6604	Connector - DHB-RZA50-R134	1
3	G020 5530	ASIC Stone	1
4	G020 5531	IC - 4M X16 120NS	1
6	G020 5532	IC - UPD23C8000 XGX-352-E2	1
7	G020 5533	IC - UPD23C8000 XGX-351-E2	1
8	G020 5534	IC - TC5118165-CFT-60	2
9	G022 5900	IC - UPD65843GN-024-LMU	1
10	G022 5901	IC - RF5C281	1
11	G022 5902	IC - UPD30200GD-100-MBB	1
101	1102 4818	Connector - 20P	
102	1102 7368	Connector - 88333-04	
103	1102 7584	connector - TB11201-B3	
104	1102 7585	Dimm Connector - 93764-51872	
105	1102 7648	Connector	
106	1104 0378	IC Socket - 24p - DICF-24CS-E	
107	1104 0612	Connector - 40P	
108	1104 0739	Simm Socket 72p	
109	1402 0942	Diode - 1SS193	
110	1407 4697	Clock Generator - M66238FP	
111	1407 4741	CMOS - 74ACT1284MSA	
112	1407 4742	TTL - 74F1071MSA	
113	1407 4743	Flash Memory - LH28F016SUT-70	
114	1407 4747	ROM - BR28C16A-150	
115	1408 0575	IC - M51957BFP	
116	1408 1266	Regulator - LT1086CM-3.3	
117	1503 0698	Crystal Oscilator - 1632D 33.3300mhz	
118	1601 7702	Resistor - 56hm	

Index No.	Part No.	Description	Q'ty Per Assembly
119	1601 7708	Resistor Array - 470 Ω \pm 5% 1/16W	
120	1601 7801	Resistor Array - 10k Ω \pm 5% 1/16w	
121	1601 7812	Resistor Array - 100 Ω \pm 5% 1/16W	
122	1604 4333	Capacitor - 100 μ F \pm 20% 10V	
123	1604 4428	Capacitor 100 Uf 20% 16v	
124	1605 0677	Ceramic Capacitor -0.082 μ F \pm 10% 50V	
125	1607 0076	Fuse - 3a	
126	1607 0874	Inductor - NLC453232T-220K	
127	1607 0910	Coil Sf-m1010	
128	1607 0978	Inductor - BLM21P300SPB	
129	1630 3151	Resistor - 150 Ω \pm 5% 1/10W	
130	1630 3201	Resistor - 200 Ω 1/10W \pm 5%	
131	1630 4101	Resistor - 100 Ω \pm 5% 1/16W	
132	1630 4103	Resistor - 10K Ω \pm 5% 1/16W	
133	1630 4104	Resistor - 100 Ω \pm 5% 1/16W	
134	1630 4122	Resistor - 1.2k Ω 5% 1/16W	
135	1630 4124	Resistor - 120k Ω \pm 5%1/16w	
136	1630 4202	Registor - 2k Ω - \pm 5% -	
137	1630 4330	Resostor - 33 Ω \pm 5% 1/8w	
138	1630 4519	Resistor - 5.1 Ω \pm 5% 1/16w	
139	1630 4560	Resistor - 56 Ω \pm 5% 1/16w	
140	1630 4680	Resistor - 68 Ω \pm 5% 1/16W	
141	1630 4752	Resistor - 7.5k Ω \pm 5%1/16w	
142	1630 4820	Resistor - 82 Ω \pm 5% 1/16w	
143	1630 4821	Resistor - 820 Ω \pm 5% 1/16w	
144	1634 0000	Registor - 0 Ω - 1/16w	
145	1660 2221	Capacitor - 220pF +80-20% 50V	
146	1660 2391	Capacitor - 390pF \pm 5% 50v	
147	1660 2680	Capacitor - 68pF \pm 5% 50V	
148	1660 4102	Capacitor - 1000pF \pm 10% 50v	
149	1660 6103	Capacitor - 10000pF - +80%-20%, 50V	
150	1660 7103	Capacitor - 10000pF 50V	
151	1660 7104	Capacitor - 100000pF 50V	

21. Decal And Document (G020)

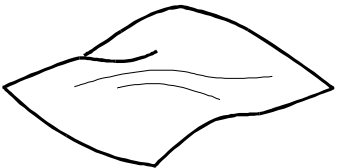
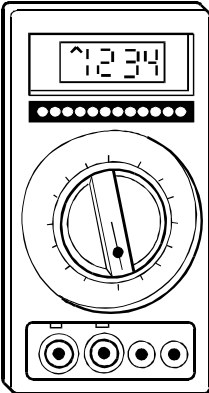
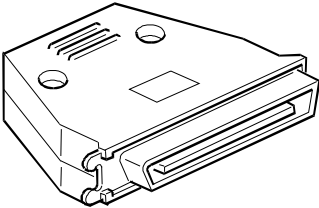
<p>1</p> 	<p>5</p> 	<p>6</p> 
<p>2</p> 	<p>7</p> 	
<p>3</p> 		
<p>4</p> 		

21.Decal And Document (G020)

Index No.	Part No.	Description	Q'ty Per Assembly
1	G020 4128	Decal - High Temperature	1
2	G020 1926	Decal - Laser Diode - Class1 - EU	1
3	G020 1919	Decal - Optics Fiber	1
4	G020 1918	Decal - Laser Diode - Cover	1
5	G020 2788	Decal - By-pass Table	1
6	G020 1917	Decal - LD	1
7	G020 2668	Decal - Paper Set	1

Index No.	Part No.	Description	Q'ty Per Assembly

22.Special Tools (G020)

<p>1</p> 	<p>2</p> 	<p>3</p> 
--	---	--

22.Special Tools (G020)

Index No.	Part No.	Description	Q'ty Per Assembly
1	A153 9004	Wiping Cloth (100pcs/set)	1
2	5420 9507	Digital Multimeter - Beckman	1
3	G021 9350	Loopback Connector - Parallel	1

Index No.	Part No.	Description	Q'ty Per Assembly

PARTS INDEX

Part No.	Description	Page and Index No.
G020 1047	Development Drive Shaft	33- 24
G020 1052	Stand	7- 26
G020 1054	Positioning Plate	39- 13
G020 1064	PCU Bracket	13- 30
G020 1070	Right Stay - Laser Unit	41- 13
G020 1071	Left Stay - Laser Unit	41- 12
G020 1073	Lower Left Plate	41- 7
G020 1074	Harness Stay	41- 6
G020 1079	Rear Guide Stay - Sorter	39- 14
G020 1080	Front Guide Stay - Sorter	39- 16
G020 1084	Tension Spring	31- 22
G020 1085	Bracket - Grip Plate	41- 4
G020 1086	Spring - Tightener	33- 10
G020 1087	Right Relay Guide	41- 9
G020 1090	Left Relay Guide	41- 8
G020 1096	Right Shielding Plate	15- 2
G020 1098	Stay - OPU	27- 3
G020 1104	Fan Motor Holder	29- 6
G020 1105	Cushion - Fan Motor	29- 17
G020 1106	Right Duct	27- 2
G020 1107	Nut - M4	29- 24
G020 1108	Rear Exhaust Duct	37- 16
G020 1112	Paper Feed Clutch	33- 20
G020 1113	Relay Roller Clutch	15- 22
G020 1114	By-pass Feed Clutch	33- 5
G020 1115	Registration Clutch	33- 12
G020 1116	Development Clutch	33- 3
G020 1117	Charge Roller Contact Clutch	31- 6
G020 1118	Holder - PCU Drive	31- 27
G020 1119	Bushing - M8	33- 19
G020 1120	DC Motor - DC24V 21.6W	13- 7
G020 1144	Gear - 27Z	33- 17
G020 1145	Shaft - Paper Feed Roller	33- 18
G020 1146	Belt Tightener	33- 14
G020 1147	Pulley - 65Z/26T	33- 8

Part No.	Description	Page and Index No.
G020 1150	Fusing Drive Bracket	31- 17
G020 1153	Gear - 40Z	31- 13
G020 1157	Gear - 28Z	31- 14
G020 1158	Support Bracket - Fusing Drive	31- 12
G020 1160	Snap Ring	33- 22
G020 1161	Bracket - Toner Supply Motor	13- 8
G020 1162	Development Clutch Shaft	33- 2
G020 1163	Gear - 43Z	33- 4
G020 1164	Gear - 37Z	33- 33
G020 1165	Development Drive Bracket	33- 6
G020 1166	Stopper Bracket - Development Clutch	33- 7
G020 1167	Gear - 35Z	31- 15
G020 1168	Gear - 52Z/26T	33- 13
G020 1169	Gear - 40Z	33- 16
G020 1171	Bracket - PCU Driver	33- 23
G020 1177	Gear - 26Z	33- 32
G020 1178	Pulley - 51T	33- 30
G020 1180	PCU Drive Shaft	33- 26
G020 1183	Pressure Spring	33- 27
G020 1184	Bracket - Fly Wheel	33- 31
G020 1187	Timing Belt - S2M 158MM	31- 2
G020 1188	Tightener - PCU	31- 26
G020 1189	Fly Wheel	31- 1
G020 1190	Tightener Bracket Ass'y	33- 11
G020 1194	Bracket - Fusing Drive Gear	31- 23
G020 1194	Bracket - Fusing Drive Gear	27- 4
G020 1231	Top Cover Ass'y	7- 4
G020 1233	Front Door	7- 15
G020 1236	Rear Cover Ass'y	7- 7
G020 1237	Right Cover Ass'y	7- 10
G020 1251	Inner Cover	7- 16
G020 1259	Rubber Protector - Front Cover	7- 22
G020 1266	Paper Stopper	7- 5
G020 1276	Upper Left Cover	7- 1
G020 1281	Lower Left Cover	7- 17

Part No.	Description	Page and Index No.
G020 1286	Left Rear Cover	7- 3
G020 1311	Harness Cover	7- 8
G020 1316	Inner Cover - Paper Feed Tray	39- 18
G020 1319	Operation Sheet	7- 12
G020 1326	Cap - Inverter Unit	7- 20
G020 1327	Knob Screw - M3	15- 33
G020 1327	Knob Screw - M3	35- 16
G020 1327	Knob Screw - M3	7- 21
G020 1330	Right Hinge Bracket - Front Door	41- 3
G020 1331	Left Hinge Bracket - Front Door	41- 5
G020 1332	Front Door Pin	7- 23
G020 1341	Main Control Board Cover	7- 6
G020 1351	Cap - Finisher	7- 2
G020 1356	LCT Front Cap	7- 19
G020 1361	LCT Rear Cap	7- 9
G020 1391	Screw - M3x4.5	7- 24
G020 1392	Screw - M3x8	7- 25
G020 1420	Operation Panel Ass'y (LT)	7- 11
G020 1421	Operation Panel Ass'y (A4)	7- 11
G020 1710	Exit Tray Holder	23- 39
G020 1715	Bracket - Harness Clamp	37- 6
G020 1717	Right Holder - Set Pin	41- 18
G020 1720	Timing Belt - S3M 597mm	33- 9
G020 1721	Timing Pulley - 38t	33- 15
G020 1722	Left Holder - Set Pin	41- 19
G020 1725	Main Motor Ass'y - 31W	31- 5
G020 1741	Drive Unit - Paper Feed	33- 21
G020 1796	Bracket - Charge Roller	31- 8
G020 1869	Laser Unit Ass'y (115V)	17- 1
G020 1872	Laser Unit Ass'y (230V)	17- 1
G020 1877	Shield Glass	17- 28
G020 1881	LD Unit	17- 3
G020 1902	Lower Cover - Laser Unit	17- 10
G020 1903	Right Holder - BTL Lens	17- 11
G020 1904	Left Holder - BTL Lens	17- 12

Part No.	Description	Page and Index No
G020 1905	Cylindrical Lens Holder	17- 13
G020 1906	Left Holder - F Theta Mirror	17- 15
G020 1907	Right Holder - F Theta Mirror	17- 16
G020 1908	1st Mirror Holder	17- 17
G020 1909	2nd Mirror Holder	17- 20
G020 1911	Sync Detector Mirror	17- 9
G020 1912	Sync Detector	17- 2
G020 1915	Sync Detector Mirror Holder	17- 8
G020 1917	Decal - LD	17- 29
G020 1917	Decal - LD	53- 6
G020 1918	Decal - Laser Diode (230V)	17- 30
G020 1918	Decal - Laser Diode - Cover	53- 4
G020 1919	Decal - Optics Fiber	53- 3
G020 1919	Decal - Optics Fiber 230V	35- 3
G020 1920	Decal - Laser Diode (115V)	17- 30
G020 1921	Decal - Optics Fiber 115V	35- 3
G020 1923	CS Ring - M2.4	17- 22
G020 1924	Housing - Laser Unit	17- 25
G020 1926	Decal - Laser Diode	7- 18
G020 1926	Decal - Laser Diode - Class1 - EU	53- 2
G020 1928	2nd Mirror - Laser Unit	17- 23
G020 1939	Bracket - Polygon Motor Driver	17- 26
G020 1940	Optical Housing Cover (230V)	17- 21
G020 1941	Laser Unit Cover - 115V	17- 21
G020 1942	Polygon Mirror Motor	17- 6
G020 1943	Polygon Motor Driver	17- 27
G020 1952	Cover - Polygon Motor	17- 5
G020 1962	Shield Glass	17- 24
G020 1964	1st Mirror - Laser Unit	17- 18
G020 1966	Cylindrical Lens	17- 14
G020 1968	F Theta Mirror	17- 31
G020 1969	BTL Lens	17- 19
G020 1970	Supporting Plate - Mirror - NO.1	17- 32
G020 2020	Charge Roller Ass'y	19- 1
G020 2103	Tension Spring	27- 6

Part No.	Description	Page and Index No.
G020 2106	Bushing - Pressure Lever	27- 23
G020 2110	Terminal - Charge Roller	33- 28
G020 2121	Cam - Charge Roller	27- 9
G020 2135	Bracket - Humidity Sensor	37- 8
G020 2141	Bracket - Charge Roller Contact Sn	37- 23
G020 2143	Actuator - Charge Roller Clutch	31- 24
G020 2160	Quenching Lamp	27- 5
G020 2170	Pressure Lever - Charge Roller	27- 7
G020 2558	Rear Corner Separator	9- 15
G020 2560	Front Side Fence	9- 5
G020 2567	Rear Side Fence	9- 6
G020 2573	Front Corner Separator	9- 14
G020 2580	Paper End Sensor Bracket	15- 23
G020 2581	Paper End Feeler	15- 29
G020 2584	Photointerruptor	15- 10
G020 2587	Bushing - Paper Feed	15- 1
G020 2589	Bracket - Vertical Transport Sensor	15- 9
G020 2590	Paper Tray	9- 20
G020 2592	Release Lever - Bottom Plate	9- 9
G020 2599	Spring - Release Lever	9- 8
G020 2610	Left Vertical Transport Guide	15- 11
G020 2612	Vertical Relay Guide	15- 12
G020 2615	Microswitch	15- 25
G020 2616	Bracket - Microswitch	15- 13
G020 2618	Stay - Paper End Sensor	15- 15
G020 2620	Push Switch - Paper Size	39- 11
G020 2621	Lower Guide Plate - Paper Feed	15- 32
G020 2622	Release Arm - Paper End Feeler	15- 24
G020 2625	Holder - Vertical Transport Guide	15- 7
G020 2626	Release Spring - Paper End Feeler	15- 19
G020 2631	Stay - Vertical Transport	41- 17
G020 2632	Guide Plate - Vertical Transport	15- 16
G020 2634	Cover - Vertical Transport	15- 6
G020 2635	Spring Plate - Driven Roller	15- 28
G020 2643	Front Grounding Plate - Paper Tray	15- 18

Part No.	Description	Page and Index No
G020 2644	End Fence	9- 10
G020 2645	Friction Pad	9- 12
G020 2647	Paper Tray Cover	9- 1
G020 2648	Holder - Paper Size Detector	9- 4
G020 2650	Right Guide - Paper Tray	41- 16
G020 2651	Left Guide - Paper Tray	41- 10
G020 2652	Middle Rail - Paper Tray	41- 15
G020 2654	Upper Rear Guide - Paper Tray	15- 4
G020 2655	Upper Front Guide - Paper Tray	15- 3
G020 2656	Pressure Spring - Bottom Plate	9- 3
G020 2658	Grounding Plate - Bottom Plate	9- 2
G020 2661	Bottom Plate Ass'y	9- 11
G020 2664	Front Lever Stopper	9- 16
G020 2668	Decal - Paper Set	53- 7
G020 2668	Decal - Paper Set	9- 19
G020 2676	Support - Paper Tray - Right	39- 12
G020 2677	Support - Paper Tray - Left	39- 10
G020 2678	Guide Plate - Paper Tray	41- 11
G020 2682	Spring - 2.4n	33- 34
G020 2701	Cover - By-pass Table	11- 2
G020 2702	Pressure Spring - By-pass Feed	11- 13
G020 2705	Right Side Fence - By-pass Feed	11- 5
G020 2706	Left Side Fence - By-pass Feed	11- 3
G020 2707	Sensor Conductor - By-pass Feed	11- 6
G020 2708	Spring Plate - By-pass Feed	11- 10
G020 2709	Bottom Plate - By-pass Table	11- 7
G020 2713	Pressure Spring	13- 18
G020 2714	Friction Pad - By-pass Feed	13- 17
G020 2716	Friction pad	13- 20
G020 2718	Stay - By-pass Feed	13- 19
G020 2721	By-pass Feed Roller	13- 22
G020 2723	By-pass Feed Shaft	13- 29
G020 2731	Grounding Plate	13- 33
G020 2733	Connector Bracket	13- 34
G020 2734	Envelope Feeder Stay	13- 32

Part No.	Description	Page and Index No.
G020 2735	Guide - By-pass Feed Table	11- 1
G020 2740	Lower Registration Roller	13- 10
G020 2743	Tension Spring	13- 3
G020 2745	Lower Guide Plate - Registration	13- 12
G020 2753	Bracket - Registration Sensor	13- 23
G020 2754	Upper Paper Guide	13- 16
G020 2762	Lower Transport Guide	13- 15
G020 2765	Knob - Lower Transport Guide	13- 13
G020 2771	Registration Sensor	13- 24
G020 2772	By-pass Paper End Sensor	13- 25
G020 2780	Front Bushing - Registration	13- 4
G020 2781	Rear Bushing - Registration Roller	13- 31
G020 2782	Stay - By-pass Table	11- 12
G020 2783	Registration Roller Knob	13- 2
G020 2784	Lever - By-pass Feed Table	11- 15
G020 2785	Cover - Feed Roller Shaft	13- 27
G020 2786	Shaft - By-pass Release Lever	11- 16
G020 2787	Cover - By-pass Paper End Sensor	13- 26
G020 2788	Decal - By-pass Table	11- 17
G020 2788	Decal - By-pass Table	53- 5
G020 3361	Guide Plate - Toner Supply	13- 21
G020 3390	Stopper	13- 6
G020 3550	Cleaning Blade	19- 2
G020 3880	Transport Guide Plate	27- 13
G020 3882	Grounding Plate - Transfer Guide	27- 14
G020 3887	Fan Motor - DC3.12W	27- 15
G020 3888	Pin - Transfer Guide	13- 1
G020 3888	Pin - Transfer Guide	27- 1
G020 3890	Receptacle - Transfer Unit	33- 29
G020 3896	Ground Plate - Discharge Brush	27- 21
G020 3897	Discharge Brush - Transport	27- 18
G020 3910	Stay - Transfer Unit	27- 10
G020 3914	Bushing - Front Transfer Unit	27- 11
G020 3915	Bushing - Rear Transfer Unit	27- 12
G020 3940	Guide - Transfer Roller Unit	41- 23

Part No.	Description	Page and Index No.
G020 4128	Decal - High Temperature	27- 17
G020 4128	Decal - High Temperature	53- 1
G020 4129	Upper Fusing Cover	21- 5
G020 4133	Thermofuse - 169°C	21- 6
G020 4149	Upper Exit Guide - Fusing Unit	21- 1
G020 4151	Bracket - Fusing Connector	21- 29
G020 4152	Connector Bracket - Fusing Unit	21- 11
G020 4159	Rear Holder - Fusing Lamp	21- 25
G020 4160	Front Heater Holder	21- 27
G020 4163	Heater Socket	21- 30
G020 4175	Bushing - Pressure Roller	21- 20
G020 4176	Bushing - Cleaning Roller	21- 23
G020 4178	Hot Roller Stripper	21- 2
G020 4179	Bracket - Hot Roller Stripper	21- 4
G020 4183	Fusing Unit Harness (115V)	21- 28
G020 4184	Fusing Unit Harness (230V)	21- 28
G020 4185	Fusing Thermistor	21- 7
G020 4193	Spring - Hot Roller Stripper	21- 3
G020 4243	Front Pressure Lever - Fusing Unit	21- 13
G020 4244	Rear Pressure Lever - Fusing Unit	21- 33
G020 4246	Lower Entrance Guide	21- 26
G020 4247	Lower Exit Guide - Fusing Unit	21- 10
G020 4280	Pressure Roller	21- 19
G020 4285	Thermistor	21- 31
G020 4287	Cover - Thermistor	21- 37
G020 4291	Tension Spring	21- 12
G020 4292	Lever - Shaft	21- 36
G020 4293	Shaft	21- 35
G020 4294	Front Fusing Cover	21- 9
G020 4330	Tightener Bracket	31- 20
G020 4331	Front Stud - 1bin Sorter	29- 5
G020 4332	Rear Stud - 1bin Sorter	23- 25
G020 4333	Tightener - 1bin Sorter	23- 22
G020 4353	Ground Plate	23- 48
G020 4372	Paper Senser Feeler	23- 44

Part No.	Description	Page and Index No.
G020 4373	Photointerruptor - Paper Sensor	23- 42
G020 4374	Middle Antistatic Brush - FD	23- 32
G020 4375	Shaft - Feeler - Paper Sensor	23- 45
G020 4376	Bracket - Paper Sensor	23- 43
G020 4380	Timing Belt - 60S2M296	31- 10
G020 4381	Gear/pulley - 20Z/43Z	31- 11
G020 4382	Pulley 40z	31- 29
G020 4382	Pulley 40z	29- 23
G020 4390	Exit Roller	23- 33
G020 4409	Guide Plate - Feed Down	23- 26
G020 4412	Lower Transport Plate Ass'y	29- 25
G020 4413	Shaft - Transport Roller	29- 20
G020 4414	Transport Roller Ass'y	29- 10
G020 4419	Left Cover Tray	23- 2
G020 4423	Sub Copy Tray - FU	23- 1
G020 4424	Junction Gate - FU	23- 16
G020 4425	DC Solenoid	25- 20
G020 4426	Exit Relay Roller	23- 8
G020 4427	Exit Roller - FD	23- 10
G020 4429	Exit Sensor	23- 28
G020 4431	Pressure Spring	23- 37
G020 4435	Pulley - 32Z	23- 20
G020 4436	Pulley - 28Z	23- 18
G020 4437	Timing Belt - B60S2M-386	23- 19
G020 4439	Junction Gate Solenoid - FD	23- 15
G020 4440	Tension Spring	23- 23
G020 4441	Idle Gear - 27z	31- 16
G020 4442	Idle Gear - 27z	31- 18
G020 4444	Tightener	23- 21
G020 4445	Stopper	23- 46
G020 4446	Spring Plate - Roller	23- 5
G020 4447	Pulley - 44Z	23- 24
G020 4449	Spring - Tightener	31- 21
G020 4452	Right Vertical Guide	23- 4
G020 4453	Grounding Plate	23- 13

Part No.	Description	Page and Index No.
G020 4454	Paper Exit Pawl	23- 12
G020 4455	Spring	23- 41
G020 4457	Transport Roller - 1	29- 18
G020 4458	Transport Roller 2	29- 19
G020 4459	Relay Guide - Transport Roller	29- 9
G020 4463	Roller Holder	23- 3
G020 4465	Harness Cover	23- 9
G020 4466	Bushing - M6	23- 7
G020 4467	Tension Spring	23- 36
G020 4468	Stay - FD	23- 14
G020 4470	Front Spring Plate - Driven Roller	23- 35
G020 4471	Rear Spring Plate - Driven Roller	23- 34
G020 4472	Paper Feed Sensor	23- 40
G020 4472	Paper Feed Sensor	29- 16
G020 4473	Upper Transport Guide	29- 14
G020 4475	Guide Plate - Transport	29- 22
G020 4476	Guide Plate Holder	29- 4
G020 4477	Support Bracket - Transport Plate	29- 3
G020 4479	Bushing - 6mm	25- 6
G020 4479	Bushing - 6mm	29- 2
G020 4480	Fusing Knob	29- 1
G020 4481	Grounding Plate - Exit Roller	23- 30
G020 4483	Antistatic Brush - FD	23- 31
G020 4484	Tightener	31- 19
G020 4487	Gear - 26Z	29- 11
G020 4489	Gear - 24Z	29- 21
G020 4490	Paper Exit Sensor	25- 13
G020 4491	Roller Holder	29- 12
G020 4491	Roller Holder	25- 27
G020 4492	Knob - Guide Plate	25- 23
G020 4493	Magnet	25- 24
G020 4497	Antistatic Brush	23- 47
G020 5115	PCU Relay Board	37- 24
G020 5116	Inverter Unit Connector	37- 15
G020 5206	Relay Harness - LCIT	37- 4

Part No.	Description	Page and Index No.
G020 5207	Relay Harness - Finisher	35- 29
G020 5208	Relay Harness - Envelope Feeder	13- 35
G020 5211	Fusing Unit Harness - 115V	37- 9
G020 5212	Harness - DC Power Supply	35- 30
G020 5213	Harness - Main Switch	39- 7
G020 5214	Fusing Unit Harness - 230V	37- 9
G020 5222	Harness - Operation Panel	7- 13
G020 5223	Harness - Paper Exit	23- 17
G020 5225	Relay Harness - Paper Bank	35- 27
G020 5226	Relay Harness - Transport Fan	27- 16
G020 5234	Relay Harness - Polygon Motor DR.	17- 7
G020 5235	Operation Panel Harness	35- 21
G020 5240	Harness - AC Inlet 230V	35- 14
G020 5280	By-pass Feed Sensor	11- 9
G020 5304	BECU Board - 115V	43- *
G020 5304	BECU Board - 115V	35- 1
G020 5306	BECU Board - 230V	35- 1
G020 5306	BECU Board - 230V	43- *
G020 5312	PCB - Paper Bank	37- 19
G020 5350	Main Control Board	51- *
G020 5403	Harness - Paper Size Detector	39- 22
G020 5404	Harness - PCU Detector	27- 8
G020 5408	Harness - Transport Sensor	15- 14
G020 5409	Harness - Paper End Sensor	15- 21
G020 5409	Harness - Paper End Sensor	35- 33
G020 5412	Harness - Fan Motor	35- 31
G020 5415	Harness - Humidity Sensor	37- 27
G020 5417	Harness - Registration Sensor	13- 28
G020 5419	Door Switch Harness	35- 32
G020 5435	Harness - Main Motor	31- 4
G020 5436	Harness - Laser Diode Control	35- 23
G020 5436	Harness - Laser Diode Control	35- 34
G020 5436	Laser Control Harness	17- 4
G020 5441	Relay Harness - PCU	35- 28
G020 5443	Relay Harness - 4bin Tray	39- 15

Part No.	Description	Page and Index No.
G020 5450	Harness - AC Inlet 115V	35- 14
G020 5486	Harness - Front Door SW	39- 6
G020 5493	Grounding Wire - Drum	33- 25
G020 5494	Inverter Relay Harness	35- 18
G020 5497	Harness - Duplex Unit	37- 14
G020 5501	IC - UPD65643GM-014-3ED	43- 1
G020 5502	IC - UPD65643GM-015-3ED	43- 2
G020 5503	F432000PH	43- 3
G020 5530	ASIC Stone	51- 3
G020 5531	IC - 4M X16 120NS	51- 4
G020 5532	IC - UPD23C8000 XGX-352-E2	51- 6
G020 5533	IC - UPD23C8000 XGX-351-E2	51- 7
G020 5534	IC - TC5118165-CFT-60	51- 8
G020 5541	UVEPROM 4M X16 120NS	43- 4
G020 5625	Humidity Sensor	37- 7
G020 5626	Push Switch	27- 19
G020 5700	Inlet Ass'y 230V	35- 25
G020 5712	Noise Filter - Inlet 115V	35- 25
G020 5713	Ground Wire - Inlet	35- 22
G020 5714	Resistor - 5 Ω \pm 5% 10W	35- 24
G020 5807	Safety Switch Ass'y	39- 17
G020 5808	Bracket - Safety Switch	39- 5
G020 5811	Safety Switch Actuator	39- 9
G020 5812	Microswitch	39- 21
G020 5813	Bracket - Magnet	39- 2
G020 5815	Actuator - Release Gear	39- 19
G020 5816	Bracket - Duplex Harness	37- 13
G020 5817	Bracket - OPU Switch	27- 20
G020 5818	Bracket - Drawer Connector	37- 10
G020 5826	Bracket - Main Switch	39- 1
G020 5829	Shoulder Screw - M3x2.5	39- 20
G020 5829	Shoulder Screw - M3x2.5	37- 25
G020 5834	Main Control Board	35- 19
G020 5835	Release Spring - Fusing Drive	39- 8
G020 5837	Right Upper Bracket Ass'y 115V	35- 2

Part No.	Description	Page and Index No.
G020 5838	Right Upper Braket Ass'y 230V	35- 2
G020 5839	Release Wire - Fusing Drive	31- 9
G020 5839	Release Wire - Fusing Drive	39- 4
G020 5840	BECU Board Bracket	35- 4
G020 5841	Harness Bracket	31- 25
G020 5844	Bracket - Right Lower	35- 5
G020 5845	Bracket - Left Upper Ass'y	35- 7
G020 5849	Network Cover	35- 17
G020 5850	Bracket - Connector - Large Capacity TR	37- 5
G020 5851	Bracket - Paper Bank Relay	37- 18
G020 5852	Support Plate - Inlet	35- 13
G020 5853	Bracket - Inlet 230V	35- 9
G020 5855	Bracket - Control Board Ass'y	35- 20
G020 5861	Sensor Bracket - Paper Exit	37- 11
G020 5862	Support Bracket - Base	35- 12
G020 5863	Stand - Right And Lower Side	35- 6
G020 5864	Bracket - Inlet 115V	35- 9
G020 5866	Spring Plate	35- 15
G020 5870	Bracket - Power Pack	37- 1
G020 5871	Spacer - KglS-12RF	37- 2

Part No.	Description	Page and Index No
AA06 0331	Release Spring	13- 14
AA08 2070	Bushing - 8x16x7	27- 22
AA08 2070	Bushing - 8x16x7	13- 11
AA08 2070	Bushing - 8x16x7	31- 7
AA08 2070	Bushing - 8x16x7	33- 1
AA12 0005	Antistatic Brush	21- 32
AA14 3301	Stepped Screw - M3x4	37- 26
AB01 3868	Gear - 16Z	9- 13
AE04 2009	Cleaning Roller	21- 22
AF02 0283	Pressure Roller	15- 27
AF04 0031	Upper Exit Roller	29- 13
AF04 0031	Upper Exit Roller	23- 38
AF04 0031	Upper Exit Roller	25- 25
AG07 0004	Magnetic Catch	39- 3
AG07 0004	Magnetic Catch	7- 14
AG07 0012	Magnet	15- 26
AW01 0070	Photosebsor - PS-R11D1-B	37- 12
AW02 0075	Photointerrupter	37- 22
AW02 0075	Photointerrupter	23- 29
AW02 0105	Photointerruptor - EE-SX4239-P2	15- 20
AX64 0024	Fan Motor - DC24V 2.16W	41- 21
AX64 0058	Fan Motor - DC 24V 4.32W	29- 7
AZ02 0010	Choke Coil - 10MH-2A	37- 21
G004 3519	Stepping Screw	35- 8
G011 3305	Gear - 16T	11- 11
G012 1531	Magnet	23- 11
G012 1531	Magnet	29- 15
G012 1531	Magnet	25- 26
G012 4865	Exit Roller	23- 6
G021 9350	Loopback Connector - Parallel	55- 3
G022 5900	IC - UPD65843GN-024-LMU	51- 9
G022 5901	IC - RF5C281	51- 10
G022 5902	IC - UPD30200GD-100-MBB	51- 11
G694 4634	Left Guide Plate	25- 8
G694 4636	Right Guide Plate - Upper	25- 9

Part No.	Description	Page and Index No.
G694 4638	Junction Gate	25- 2
G694 4639	Transport Guide Plate	25- 1
G694 4640	Inverter Roller	25- 10
G694 4641	Gear - 24Z	25- 17
G694 4642	Gear - 17Z	25- 19
G694 4643	Gear - 18Z	25- 18
G694 4645	Junction Gate Lever	25- 21
G694 4646	Front Holder	25- 4
G694 4647	Junction Gate Spring	25- 3
G694 4648	Inverter Unit Cover	25- 5
G694 4650	Rear Side Plate	25- 22
G694 4660	Front Side Plate	25- 7
G694 4670	Frame - Inverter Unit	25- 12
G694 4671	Right Guide Plate - Lower	25- 14
G694 4672	Right Guide	25- 15
G694 4673	Left Guide	25- 11
G694 5470	Inverter Unit Harness	25- 16
G697 1261	Magnetic Catch Bracket	15- 5

Part No.	Description	Page and Index No.
A048 2838	Nylon Rivet	15- 17
A049 3371	Magnet	23- 27
A060 2741	Harness Clamp	31- 28
A134 1072	Right Bracket - Grip Plate	41- 2
A153 9004	Wiping Cloth (100pcs/set)	55- 1
A157 2769	Rear Stopper Spring	9- 17
A190 2642	Rear Lever Stopper	9- 18
A190 2702	Paper Guide	11- 8
A193 1070	Grip Plate	41- 1
A193 1073	Rail - Fusing Unit	41- 14
A193 2649	Paper Size Detector - LT	9- 7
A193 2650	Paper Size Detector - A4	9- 7
A193 2660	Paper Separator Cushion	9- 21
A193 4187	Fusing Lamp - 120V 800W	21- 14
A193 4188	Fusing Lamp - 230V 700W	21- 14
A193 5061	DC Power Supply Board - 220/240V	35- 11
A193 5800	DC Power Supply Board - 115V	35- 11
A193 5835	PSU Bracket	35- 10
A193 5837	Grounding Plate - PSU	37- 17
A193 5864	IOB Support Bracket	37- 20
A193 5865	Stand - IOB	31- 3
A193 9800	Tray Heater - 115V	15- 34
A193 9801	Tray Heater - 230V	15- 34
A224 1073	Relay Harness Cover	41- 20
A224 1076	Seal - Fan Motor	41- 22
A224 1100	Duct	29- 8
A224 2564	Relay Roller	15- 8
A224 2741	Upper Registration Roller	13- 9
A224 4112	Bracket Cleaning Roller	21- 21
A224 4130	Stay Fusing Unit	21- 8
A224 4136	Antistatic Brush - Hot Roller	21- 34
A224 4141	Fusing Unit Frame	21- 24
A224 4170	Hot Roller	21- 17
A224 4173	Ball Bearing - 20x32x7	21- 16
A224 4177	Gear - Hot Roller	21- 18

Part No.	Description	Page and Index No.
A224 5739	Power Pack - BCTD	37- 3
A649 6604	Connector - DHB-RZA50-R134	51- 1

Part No.	Description	Page and Index No
5215 2713	Bottom Plate Pad	11- 4
5353 1803	Wave Washer	33- 35
5415 2578	Spacer - 6x14x3mm	15- 30
5420 9507	Digital Multimeter - Beckman	55- 2
5447 2681	Snap Ring	11- 14
5447 2681	Snap Ring	13- 5
5447 2681	Snap Ring	15- 31
5447 2681	Snap Ring	23- 49
6792 1759	Pan Head Screw - M3X32	41- 24

Part No.	Description	Page and Index No.
0242 0080B	Philips Pan Head Screw - M2 X 8	15-105
0313 0040B	Philips Pan Head Screw - M3x4	25-103
0313 0400B	Tapping Screw - W3x40	39-103
0434 0060B	Pan Head Self-tapping Screw - M4x6	41-103
0450 3008B	Tapping Screw - M3x8	23-101
0450 3008B	Tapping Screw - M3x8	9-101
0450 3008B	Tapping Screw - M3x8	11-102
0450 3008B	Tapping Screw - M3x8	29-104
0451 3006B	Tapping Screw - M3x6	37-101
0451 3006B	Tapping Screw - M3x6	41-101
0451 3006B	Tapping Screw - M3x6	21-101
0451 3006B	Tapping Screw - M3x6	27-101
0451 3006B	Tapping Screw - M3x6	17-104
0451 3006B	Tapping Screw - M3x6	39-101
0451 3006B	Tapping Screw - M3x6	23-104
0451 3006B	Tapping Screw - M3x6	29-102
0451 3006B	Tapping Screw - M3x6	15-101
0451 3006B	Tapping Screw - M3x6	31-101
0451 3006B	Tapping Screw - M3x6	13-101
0451 3006B	Tapping Screw - M3x6	35-101
0451 3006B	Tapping Screw - M3x6	11-101
0451 3006B	Tapping Screw - M3x6	33-101
0451 3008B	Tapping Screw - M3x8	15-104
0451 3008B	Tapping Screw - M3x8	17-103
0451 3010B	Tapping Screw - M3x10	21-103
0451 3012B	Tapping Screw With Washer - M3X12	37-105
0451 3014B	Tapping Screw - M3-14	31-103
0451 3014B	Tapping Screw - M3-14	33-103
0451 3014B	Tapping Screw - M3x14	39-105
0452 3008B	Tapping Screw - M3x8	17-101
0452 3008B	Tapping Screw - M3x8	25-104
0452 3008B	Tapping Screw - M3x8	19-101
0452 3008B	Tapping Screw - M3x8	27-102
0452 3010B	Tapping Bind Screw - M3x10	17-102
0453 3006B	Tapping Screw - M3x6	13-104

Part No.	Description	Page and Index No
0453 3006Z	Binding Self Tapping Screw- M3X6	11-103
0453 3008B	Tapping Screw - M3x8	25-101
0574 0050E	Hexagon Headless Set Screw - M4x5	33-106
0633 0120E	Spring Pin - M3x12	33-107
0720 0040B	Retaining Ring - M4	25-102
0720 0040E	Retaining Ring - M4	29-101
0720 0040E	Retaining Ring - M4	15-103
0720 0040E	Retaining Ring - M4	23-103
0720 0040E	Retaining Ring - M4	31-102
0720 0040E	Retaining Ring - M4	13-103
0720 0040E	Retaining Ring - M4	33-108
0720 0060E	Retaining Ring - M6	33-104
0725 0200E	Retaining Ring C - M20	21- 15
0801 0149	Philips Panhead Screw - M4X6	35-106
0802 5085	Tapping Screw - M4x8	7-102
0802 5225	Tapping Screw - M4X8	35-102
0802 5225	Tapping Screw - M4X8	37-108
0802 5255	Tapping Screw - M3x8	39-102
0802 5255	Tapping Screw - M3x8	7-101
0802 5256	Tapping Screw - M3x8	7-103
0805 0088	Retaining Ring - M6	27-103
0805 0088	Retaining Ring - M6	31-105
0805 0089	Retaining Ring - M4	33-109
0805 0089	Retaining Ring - M4	29-105
0805 3385	Bushing - 6mm	13-102
0805 3385	Bushing - 6mm	33-105
0805 3480	Bushing - 6mm	15-102
0807 4142	Washer - M6	31-106
0950 4006M	Philips Screw With Flat Washer-m4x6	21-102
0957 3008B	Philips Screw	23-102
0957 3008B	Philips Screw	35-104
1100 1474	Test Pin	43-101
1102 4201	Connector - 2P	43-102
1102 4202	Connector - 3P	43-103
1102 4204	CT Header - 5P	43-104

Part No.	Description	Page and Index No.
1102 4207	Connector - 8P	43-105
1102 4209	CT Header - 10P	43-106
1102 4619	Connector - 2P	43-107
1102 4620	CT Header - 3P	43-108
1102 4621	CT Header - 4P	43-109
1102 4623	CT Connector - 6p	43-110
1102 4625	CT Connector 8p	43-111
1102 4631	CT Connector - 2p	43-112
1102 4634	CT Connector - 5p	43-113
1102 4637	CT Connector - 8p	43-114
1102 4641	Cconnector - 12p	43-115
1102 4643	CT Connector - 2p	43-116
1102 4645	CT Connector - 4p	43-117
1102 4647	Connector - 6P	43-118
1102 4818	Connector - 20P	51-101
1102 4986	Connector - 5569-02A	43-119
1102 4987	Connector - 5569-04A1	43-120
1102 5007	CT Header - 14P	43-121
1102 5307	Connector - 2P	43-122
1102 6245	Connector - 2P	27-104
1102 6295	Connector - 2P	43-123
1102 6298	Connector - 5p	43-124
1102 6300	Connector - 7P	43-125
1102 6303	Connector - 10P	43-126
1102 6664	Connector - 6p	43-127
1102 6890	Connector - 40P	43-128
1102 6891	Connector - 50P	43-129
1102 6958	Connector - 14P	43-130
1102 7368	Connector - 88333-04	51-102
1102 7383	Connector - FC-102H	43-131
1102 7445	Connector - 46P	37-107
1102 7445	Connector - 46P	35-105
1102 7584	connector - TB11201-B3	51-103
1102 7585	Dimm Connector - 93764-51872	51-104
1102 7648	Connector	51-105

Part No.	Description	Page and Index No
1102 7717	Connector - TX24-30R-12ST-H1	43-132
1104 0378	IC Socket - 24p - DICF-24CS-E	51-106
1104 0511	IC Socket - 8p - DICF-8CS-E	43-133
1104 0612	Connector - 40P	43-134
1104 0612	Connector - 40P	51-107
1104 0739	Simm Socket 72p	51-108
1105 0159	PCB Stud	37-102
1105 0230	Clamp	41-104
1105 0291	Wire Saddle	33-110
1105 0291	Wire Saddle	37-109
1105 0291	Wire Saddle	41-102
1105 0292	Wire Saddle	37-103
1105 0310	Wire Clamp	29-103
1105 0334	Edge - 17	41-105
1105 0334	Edge - 17	37-104
1105 0409	Spacer	35-103
1105 0458	Clamp - LHL-18	33-102
1105 0460	Clamp	37-110
1105 0460	Clamp	31-104
1106 0554	Locking Support	37-106
1107 0472	Circuit Breaker - 250V/8A	35-107
1107 0555	Fuse - 4A	43-135
1204 2449	Rocker Switch - AC250V 10A	39-104
1400 0390	Transistor - 2SA1122	43-136
1400 0700	Transistor - DTD133HK	43-137
1402 0478	Diode - 1SS226TE85L	43-138
1402 0804	Silicon Diode - 45V - 0.3A	43-139
1402 0942	Diode - 1SS193	51-109
1407 1535	IC - TD62308AP	43-140
1407 2187	TTLIC - SN74LS07NS	43-141
1407 2218	TTLIC - SN74LS06NS	43-142
1407 2219	IC - TD62003AP	43-143
1407 3357	Comparator - BA10393F	43-144
1407 3488	CMOS - IC - TC74HC4053AF	43-145
1407 4164	IC - MMID75XF	43-146

Part No.	Description	Page and Index No.
1407 4440	IC - M37702S4BFP	43-147
1407 4678	IC - BR93LC56A	43-148
1407 4697	Clock Generator - M66238FP	51-110
1407 4741	CMOS - 74ACT1284MSA	51-111
1407 4742	TTL - 74F1071MSA	51-112
1407 4743	Flash Memory - LH28F016SUT-70	51-113
1407 4747	ROM - BR28C16A-150	51-114
1408 0575	IC - M51957BFP	51-115
1408 0595	IC - NJM2904M	43-149
1408 1204	IC - TA8083P	43-150
1408 1266	Regulator - LT1086CM-3.3	51-116
1503 0698	Crystal Oscillator - 1632D 33.3300mhz	51-117
1503 0788	Crystal Oscillator - 24Mhz	43-151
1600 1449	Resistor - 47 Ω 3W	43-152
1601 7702	Resistor - 56hm	51-118
1601 7708	Resistor Array - 470 Ω \pm 5% 1/16W	51-119
1601 7800	Resistor Array - 1K Ω \pm 5% 1/16W	43-153
1601 7801	Resistor Array - 10k Ω \pm 5% 1/16W	43-154
1601 7801	Resistor Array - 10k Ω \pm 5% 1/16w	51-120
1601 7812	Resistor Array - 100 Ω \pm 5% 1/16W	51-121
1601 7812	Resistor Array - 100 Ω \pm 5% 1/16W	43-155
1604 4333	Capacitor - 100 μ F \pm 20% 10V	51-122
1604 4428	Capacitor 100 Uf 20% 16v	51-123
1605 0577	Capacitor - 0.33 μ F +80-20%	43-156
1605 0677	Ceramic Capacitor -0.082 μ F \pm 10% 50V	51-124
1607 0076	Fuse - 3a	51-125
1607 0874	Inductor - NLC453232T-220K	51-126
1607 0907	EMI Filter - ACB2012H-300	43-157
1607 0910	Coil Sf-m1010	51-127
1607 0978	Inductor - BLM21P300SPB	51-128
1630 2391	Resistor - 390 Ω 1/8W	43-158
1630 3101	Resistor - 100 Ω - 1/10W	43-159
1630 3102	Resistor - 1K Ω 1/10W \pm 5%	43-160
1630 3103	Resistor - 10K Ω 1/10W \pm 5%	43-161

Part No.	Description	Page and Index No
1630 3104	Resistor - 100K Ω 1/10W \pm 5%	43-162
1630 3105	Resistor - 1M Ω \pm 5% 1/10W	43-163
1630 3151	Resistor - 150 Ω \pm 5% 1/10W	51-129
1630 3154	Resistor - 150K 0HM \pm 5% 1/10W	43-164
1630 3201	Resistor - 200 Ω 1/10W \pm 5%	51-130
1630 3243	Resistor - 24K Ω \pm 5% 1/10W	43-165
1630 3330	Resistor - 33 Ω \pm 5% 1/10W	43-166
1630 3332	Resistor - 3.3K Ω 1/10W \pm 5%	43-167
1630 3471	Resistor - 470 Ω - 1/10W	43-168
1630 3472	Resistor - 4.7K Ω 1/10W \pm 5%	43-169
1630 4101	Resistor - 100 Ω \pm 5% 1/16W	51-131
1630 4103	Resistor - 10K Ω \pm 5% 1/16W	51-132
1630 4104	Resistor - 100 Ω \pm 5% 1/16W	51-133
1630 4122	Resistor - 1.2k Ω 5% 1/16W	51-134
1630 4124	Resistor - 120k Ω \pm 5%1/16w	51-135
1630 4202	Resistor - 2k Ω - \pm 5% -	51-136
1630 4330	Resistor - 33 Ω \pm 5% 1/8w	51-137
1630 4519	Resistor - 5.1 Ω \pm 5% 1/16w	51-138
1630 4560	Resistor - 56 Ω \pm 5% 1/16w	51-139
1630 4680	Resistor - 68 Ω \pm 5% 1/16W	51-140
1630 4752	Resistor - 7.5k Ω \pm 5%1/16w	51-141
1630 4820	Resistor - 82 Ω \pm 5% 1/16w	51-142
1630 4821	Resistor - 820 Ω \pm 5% 1/16w	51-143
1633 0000	Resistor - 0 Ω 1/10W	43-170
1633 1001	Resistor - 1K Ω \pm 1% 1/10W	43-171
1633 1002	Resistor - 10K Ω \pm 1% 1/10W	43-172
1633 3301	Resistor - 3.3K Ω \pm 1% 1/10W	43-173
1633 3901	Resistor - 3.9 Ω \pm 1% 1/10W	43-174
1633 4701	Resistor - 4.7K Ω \pm 1% 1/10W	43-175
1634 0000	Resistor - 0 Ω - 1/16w	51-144
1640 5470	Capacitor - 47 μ F \pm 20% 50V	43-176
1642 5100	Capacitor - 10 μ F \pm 20% 50V	43-177

Part No.	Description	Page and Index No.
1660 1100	Capacitor - 10pF 50V	43-178
1660 2221	Capacitor - 220pF +80-20% 50V	51-145
1660 2391	Capacitor - 390pF ±5% 50v	51-146
1660 2680	Capacitor - 68pF ±5% 50V	51-147
1660 3470	Capacitor - 47pF ±5% 50V	43-179
1660 3471	Capacitor - 470pF 50V	43-180
1660 4102	Capacitor - 1000pF ±10% 50v	51-148
1660 6103	Capacitor - 10000pF - +80%-20%, 50V	51-149
1660 7103	Capacitor - 10000pF 50V	43-181
1660 7103	Capacitor - 10000pF 50V	51-150
1660 7104	Capacitor - 100000pF 50V	51-151
1660 7104	Capacitor - 100000pF 50V	43-182
1902 0012	IC - Sram - 64K X8 100NS G1	43-183

Part No.	Description	Page and Index No